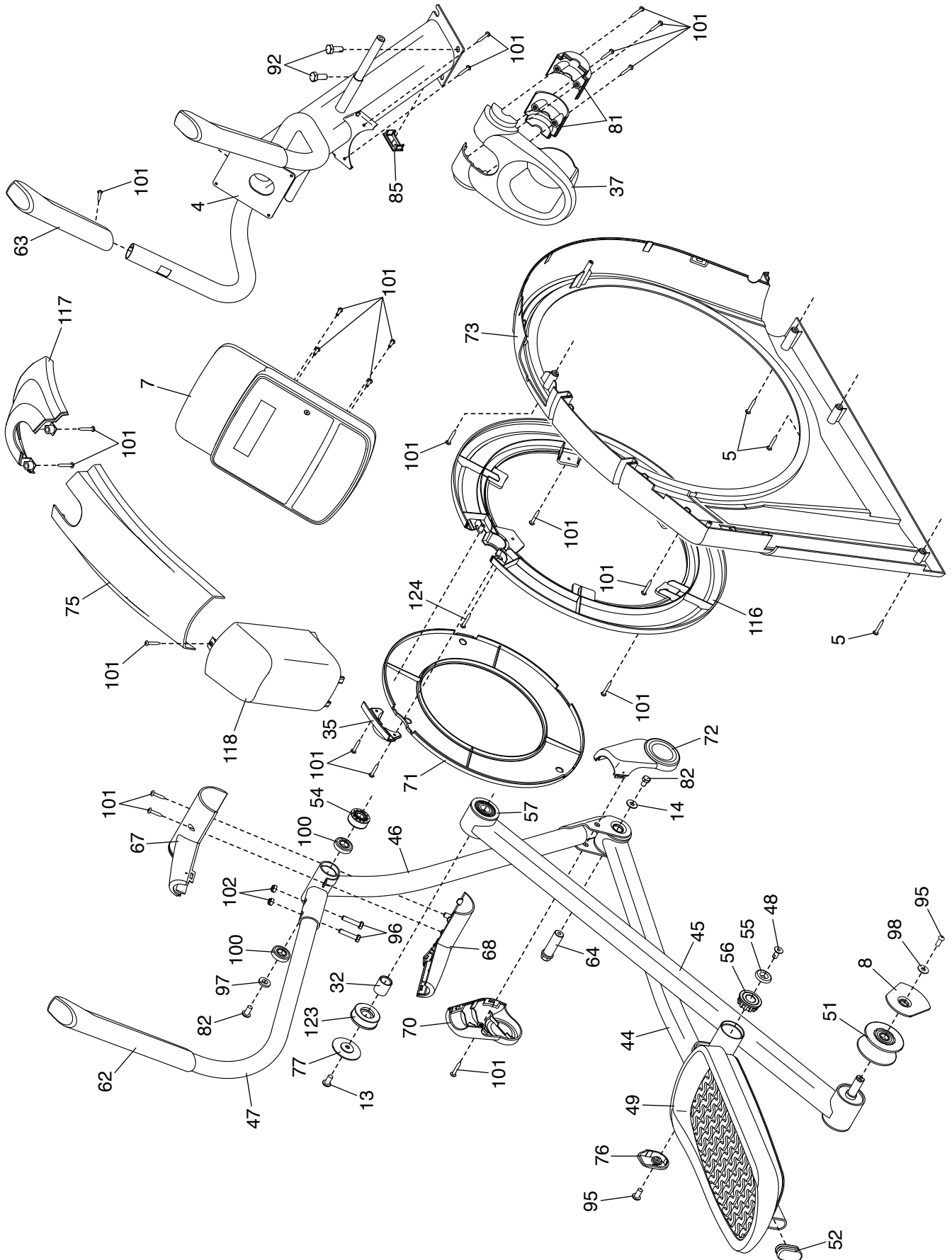


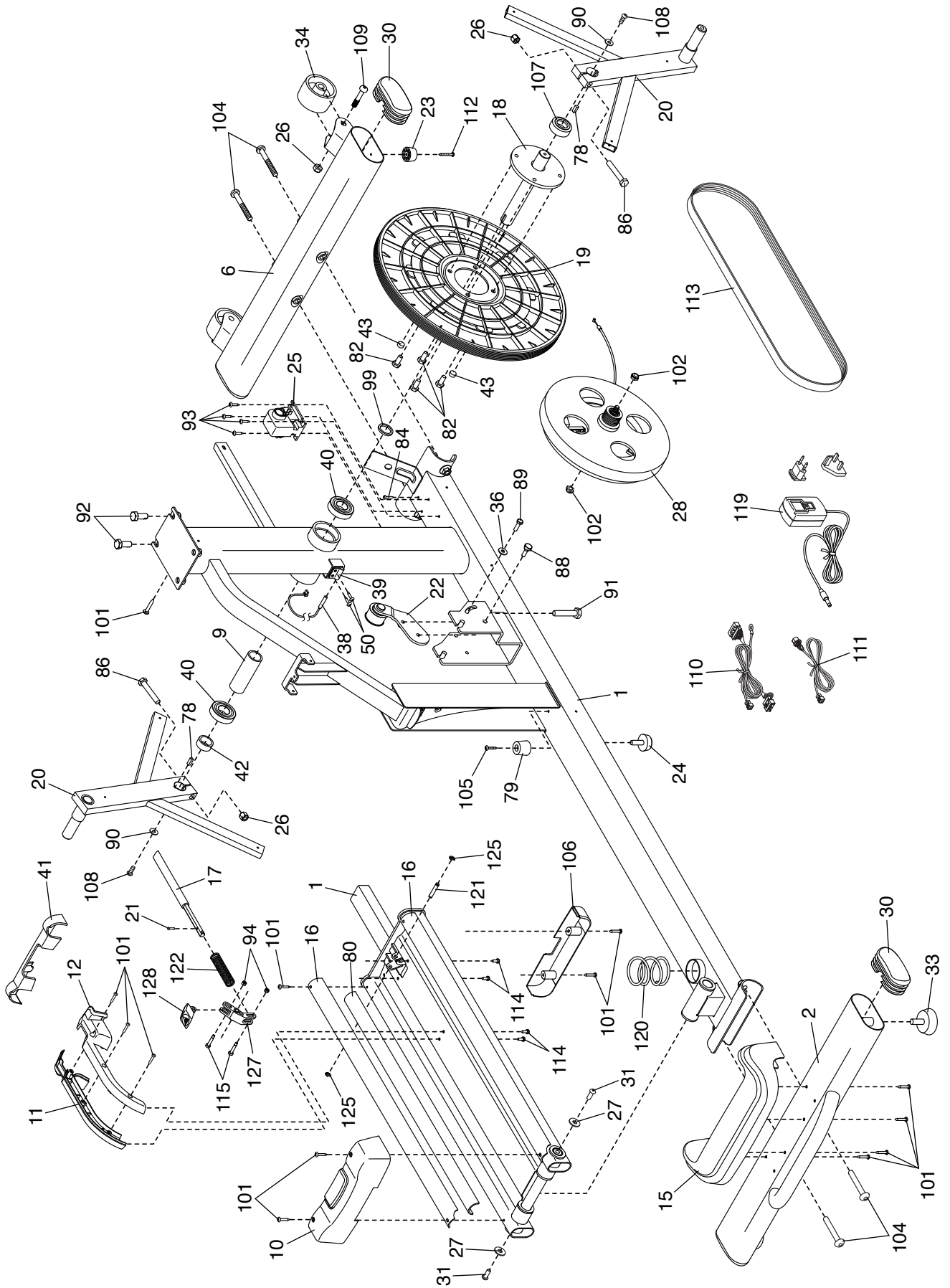
EXPLODED DRAWING A

Model No. PFEL69720-INT.3 R0521A



EXPLODED DRAWING B

Model No. PFEL69720-INT.3 R0521A



EXPLODED DRAWING C

Model No. PFEL69720-INT.3 R0521A

