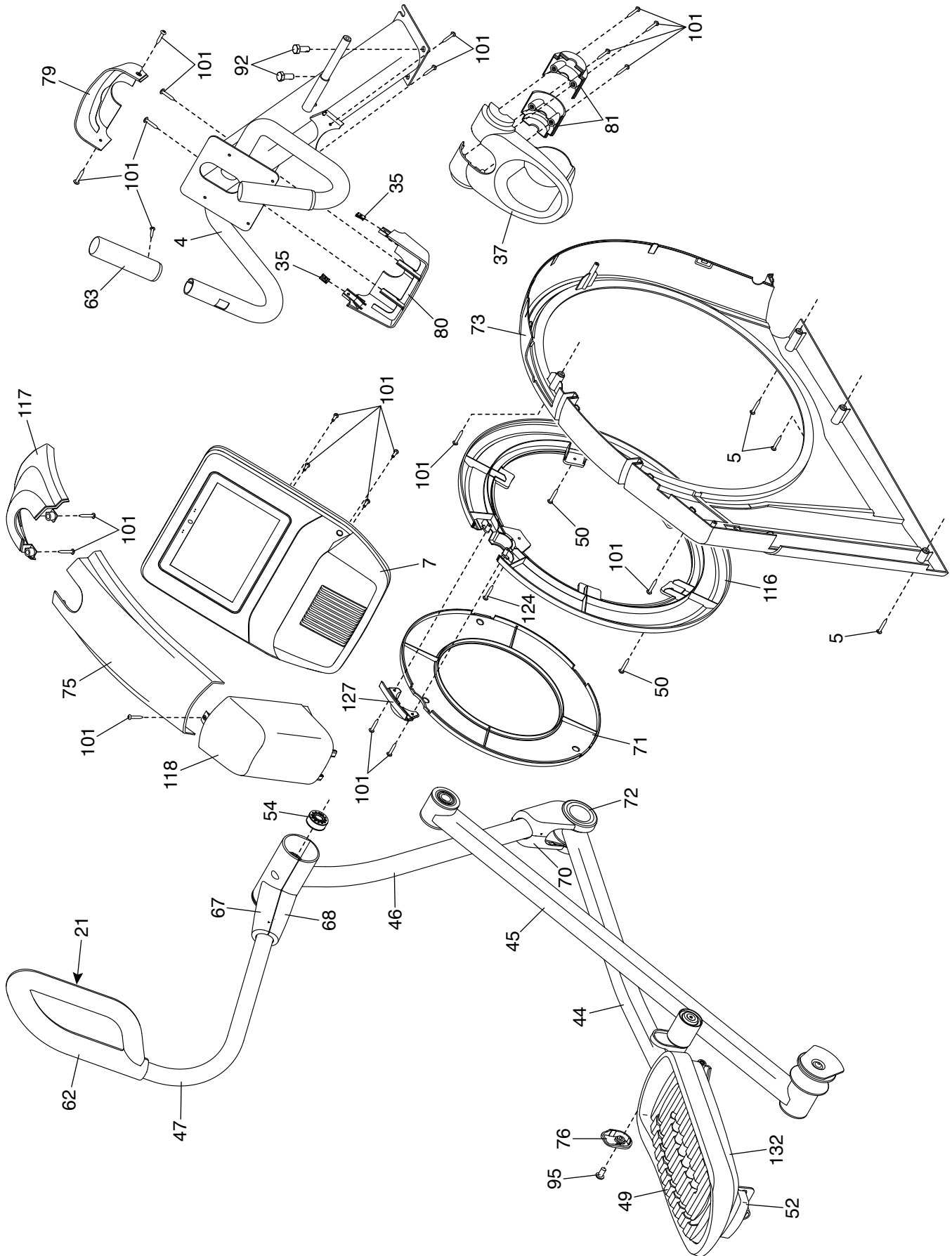


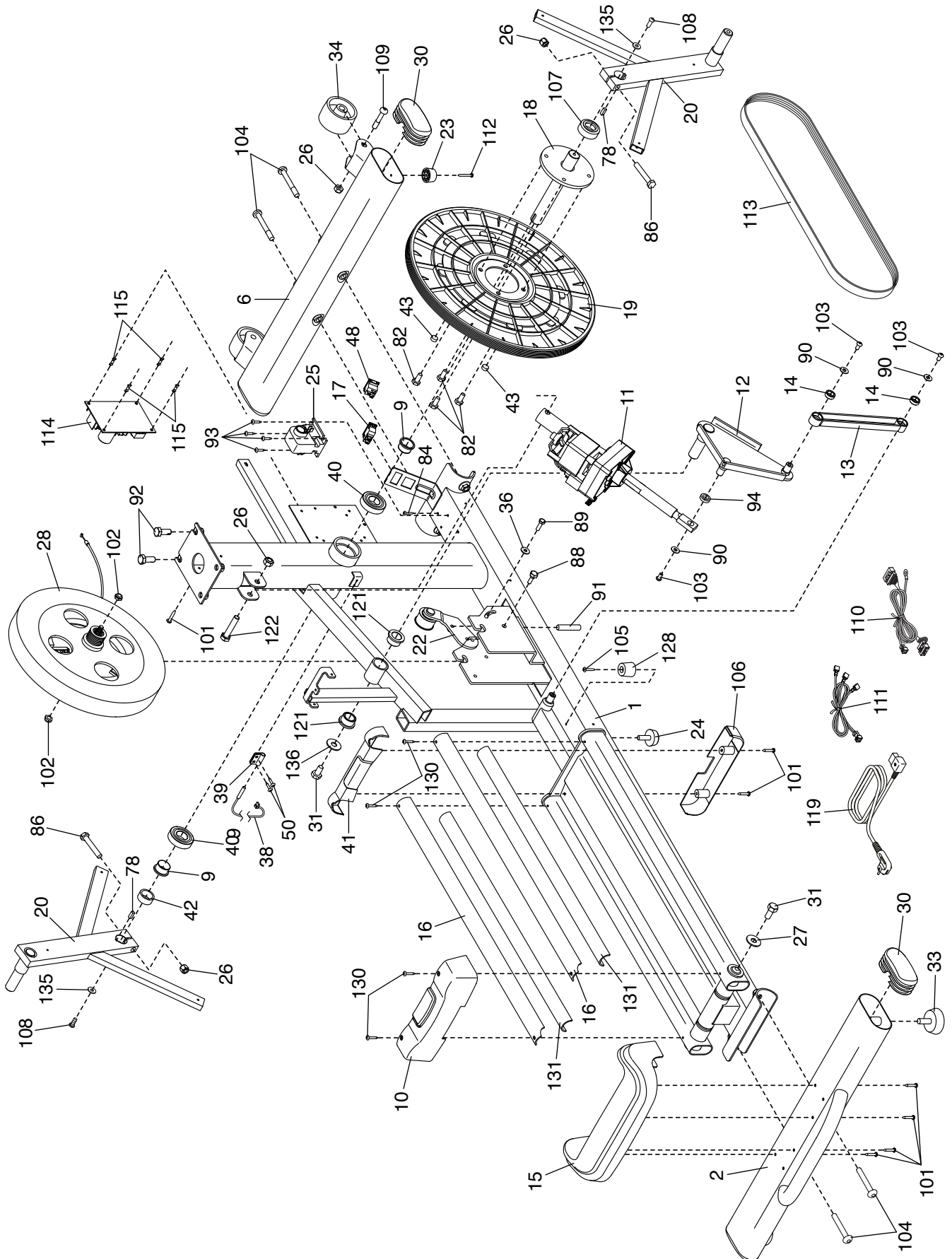
EXPLODED DRAWING A

Model No. NTEL79820-INT.0 R0321B



EXPLODED DRAWING B

Model No. NTEL79820-INT.0 R0321B



EXPLODED DRAWING C

Model No. NTEL79820-INT.0 R0321B

