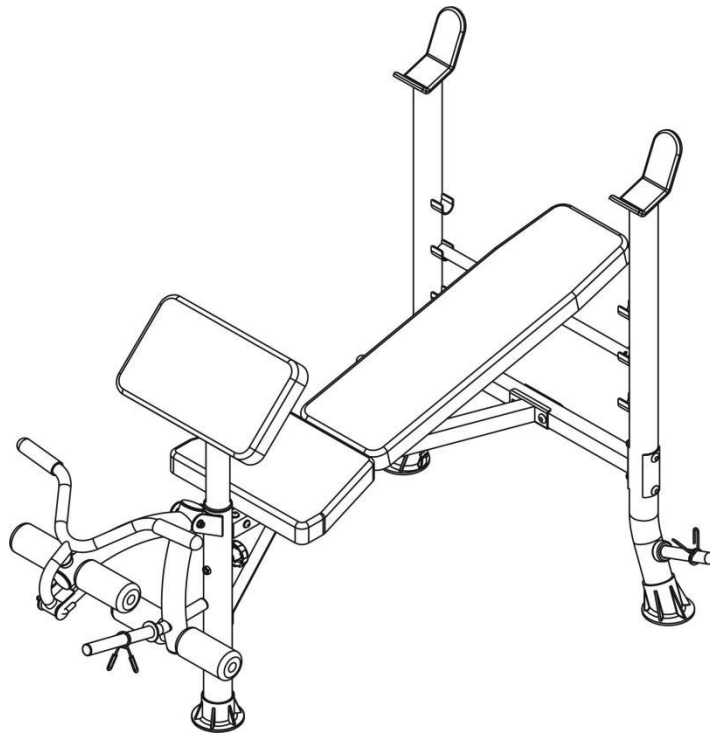




MARCY[®]

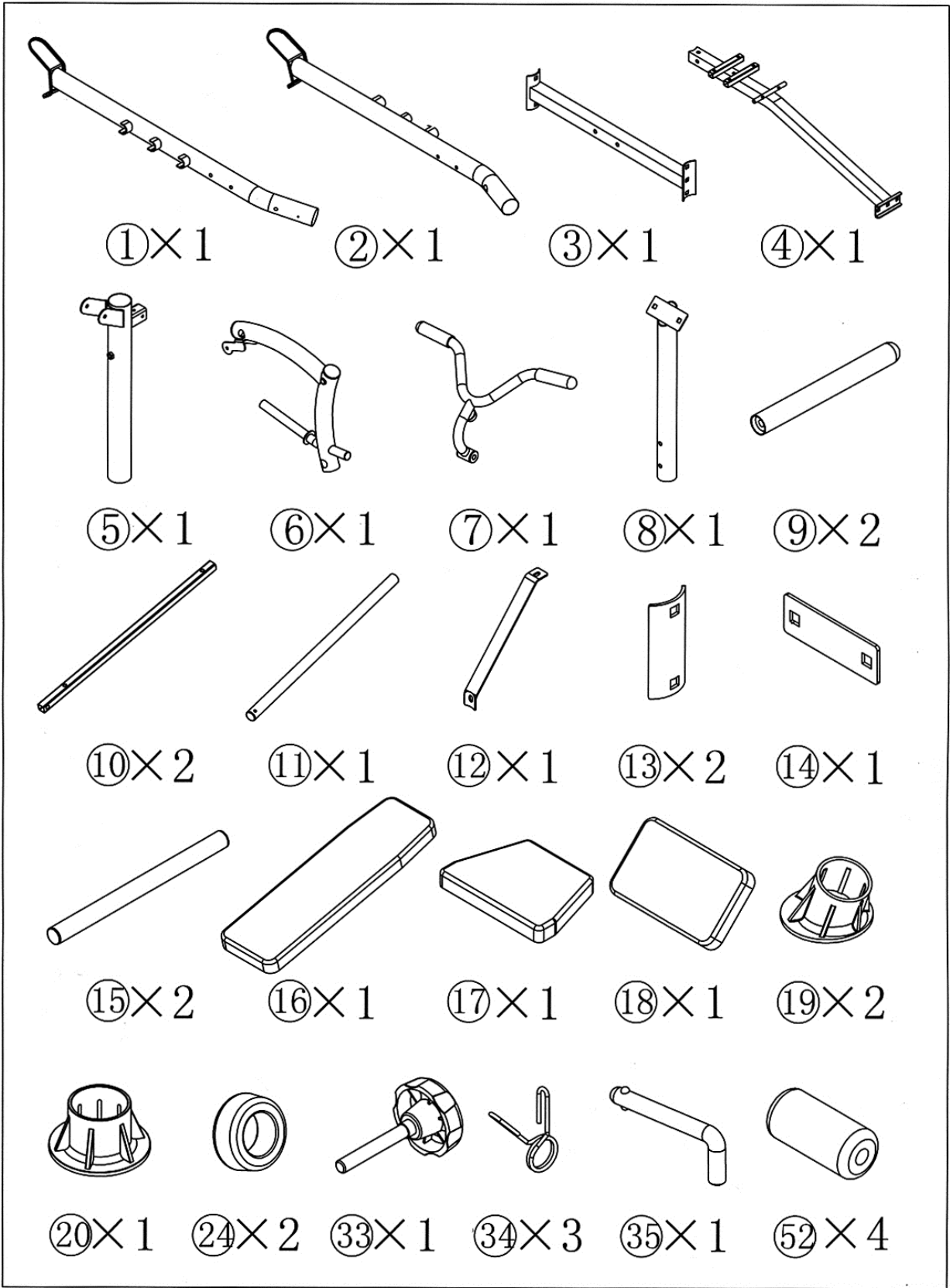
MARCY[®] ECLIPSE BE1000 STANDARD BARBELL BENCH

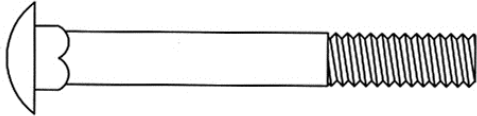


IMPORTANT: Please read the Important Safety Notice and Assembly Information in the Owner's manual before assembling this product.

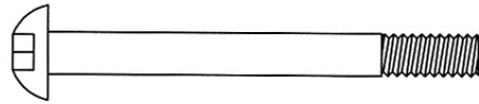
Assembly Manual

06122016

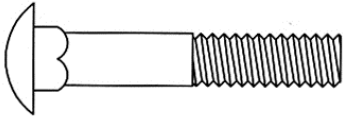




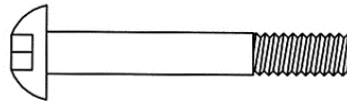
#36 x 4



#39 x 1



#37 x 2



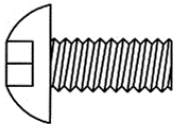
#40 x 1



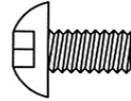
#43 x 4



#42 x 4



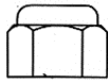
#38 x 2



#41 x 6



#44 x 2



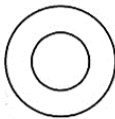
#49 x 6



#50 x 2



#51 x 2



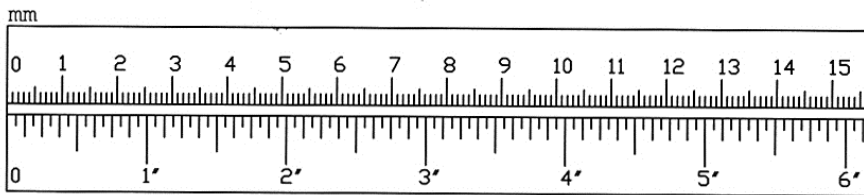
#45 x 6



#46 x 10



#47 x 8



③⑧×2



M10×1"

④④×2

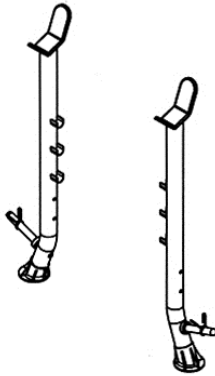
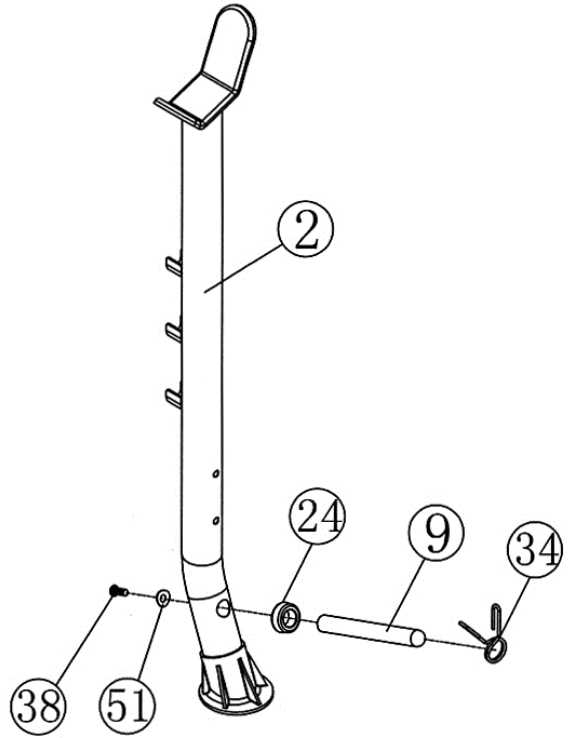
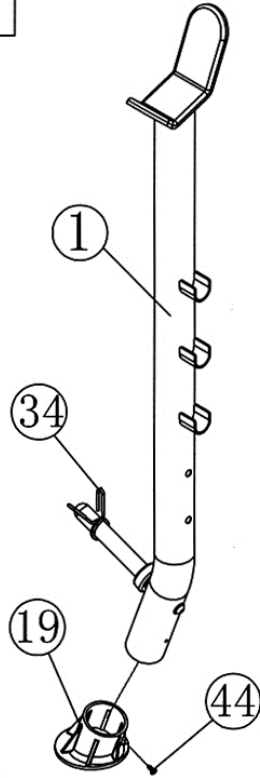
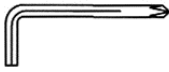


ST5.0

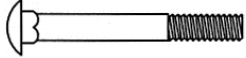
⑤①×2



Ø 3/4"

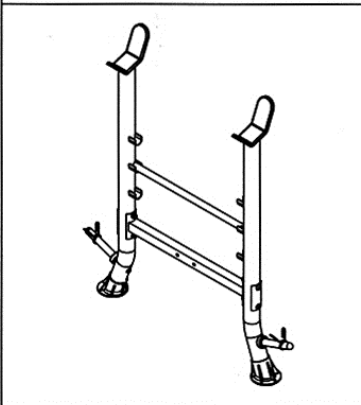
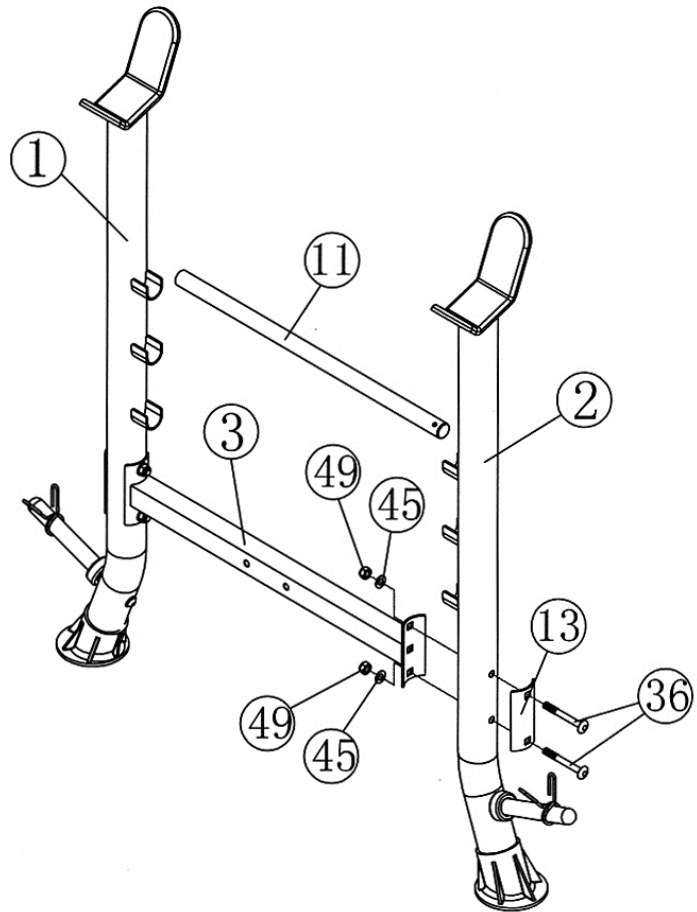
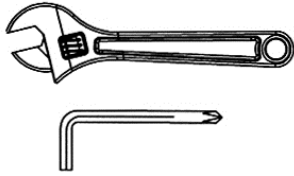


1

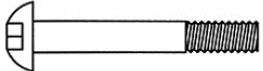
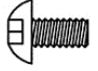


③⑥ × 4  M10 x 3 $\frac{1}{8}$ "

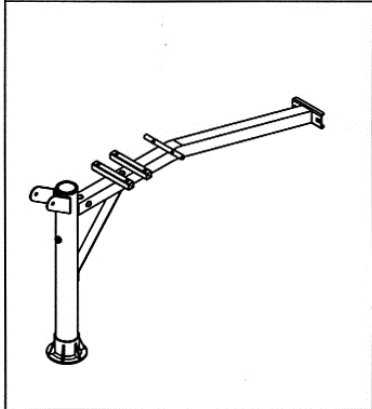
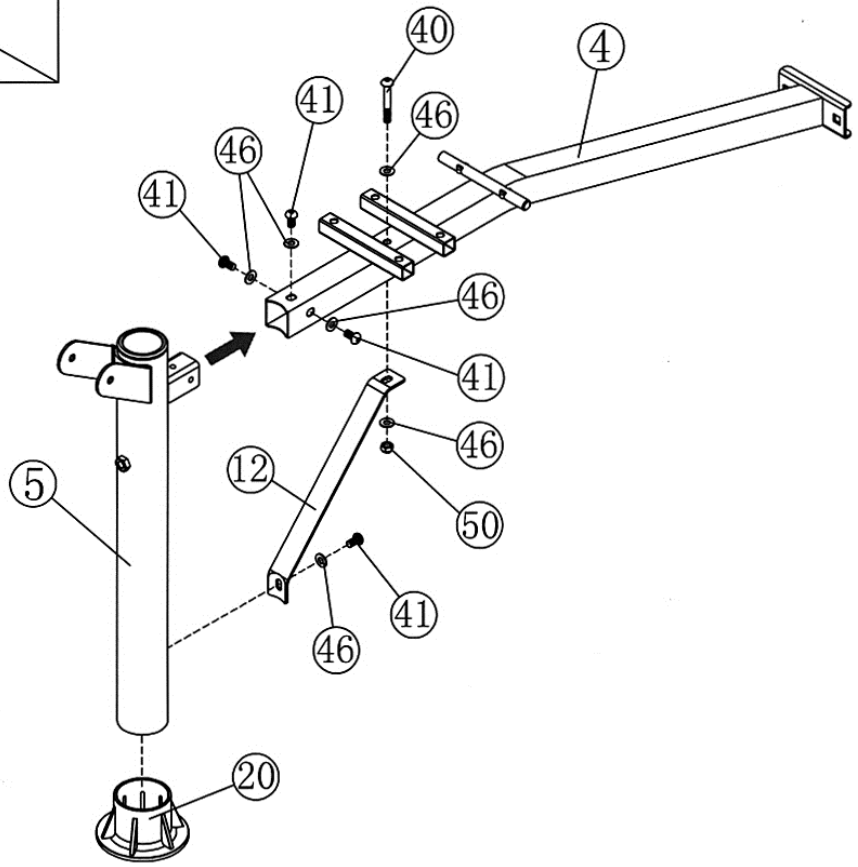
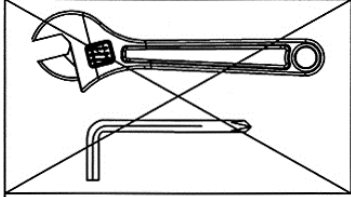
④⑨ × 4  M10

④⑤ × 4  $\varnothing \frac{3}{4}$ "

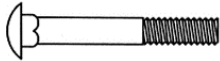


2

- ④①×1  M8 x 2 1/8" ④①×4  M8 x 5/8"
- ⑤①×1  M8
- ④⑥×6  Ø 5/8" 5# Allen Wrench(Tool)

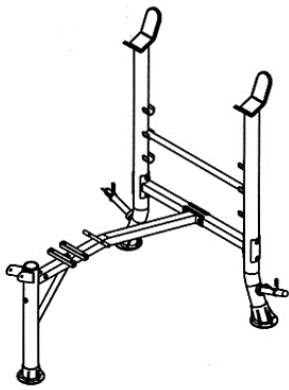
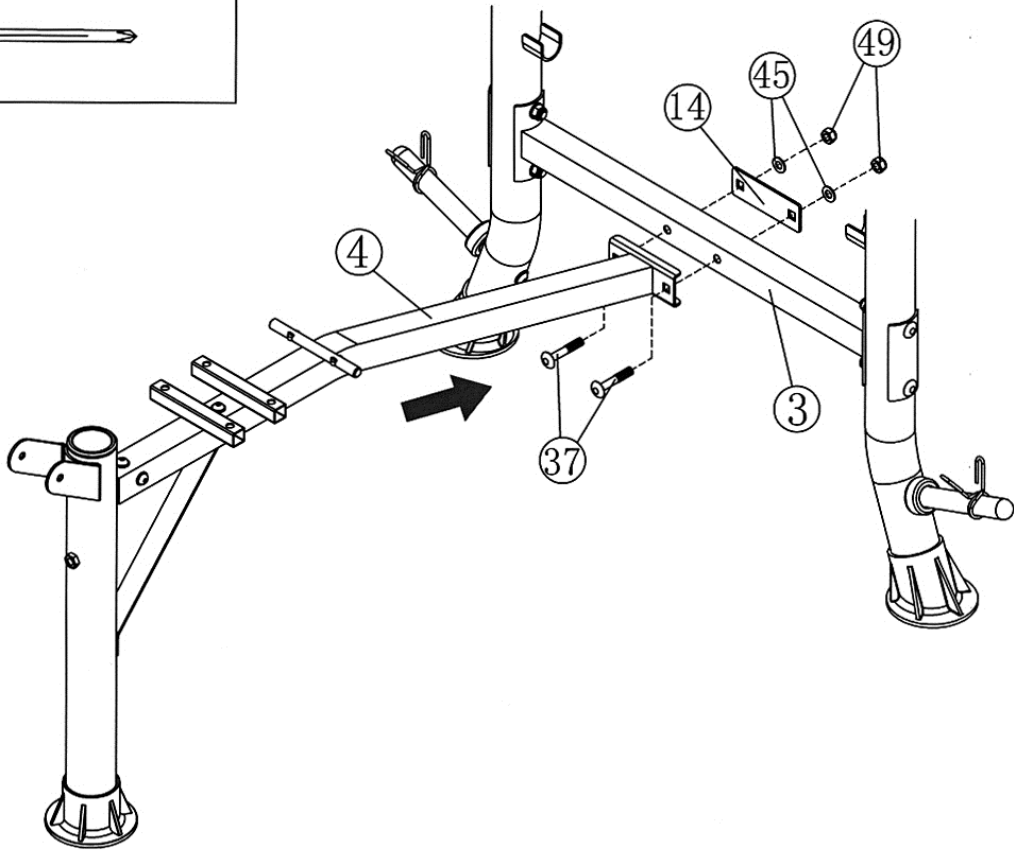
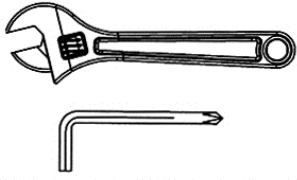


3

③⑦ × 2  M10 x 2 $\frac{1}{8}$ "

④⑤ × 2  $\varnothing \frac{3}{4}$ "

④⑨ × 2  M10



4

④② × 4

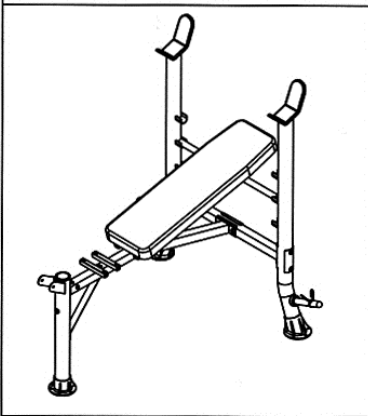
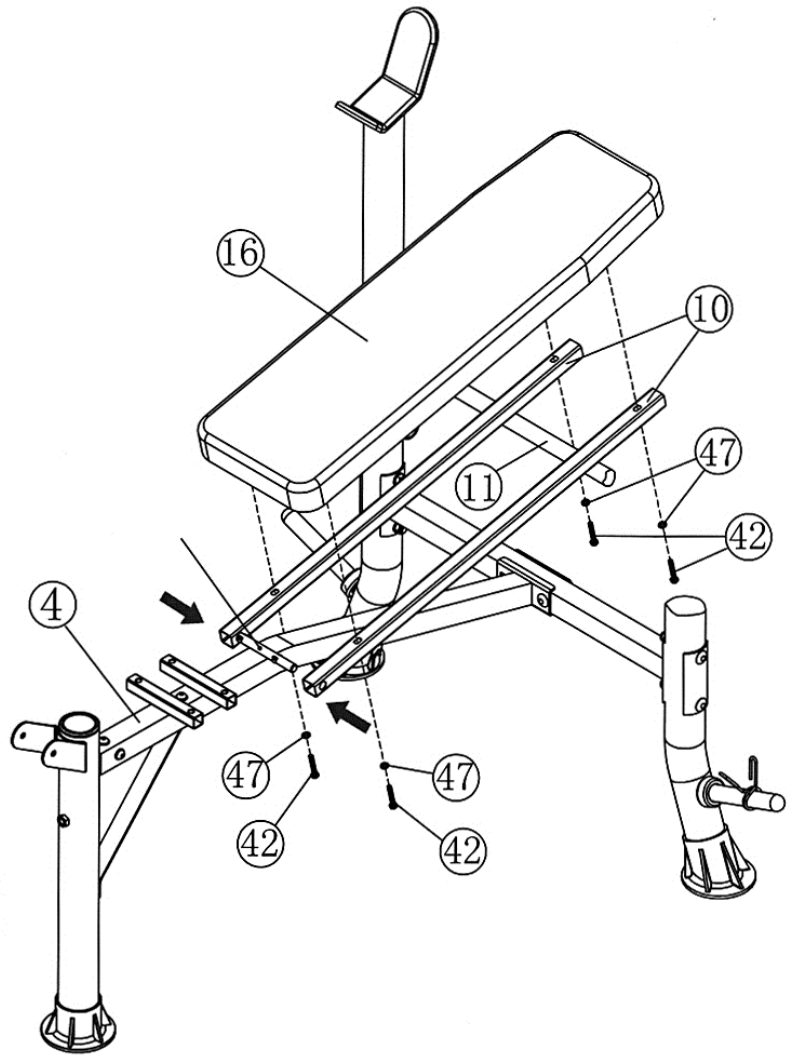
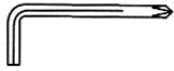


M6 x 1 1/2"

④⑦ × 4



Ø 1/2"



5

④③ × 4

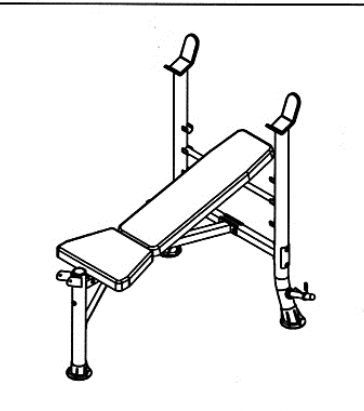
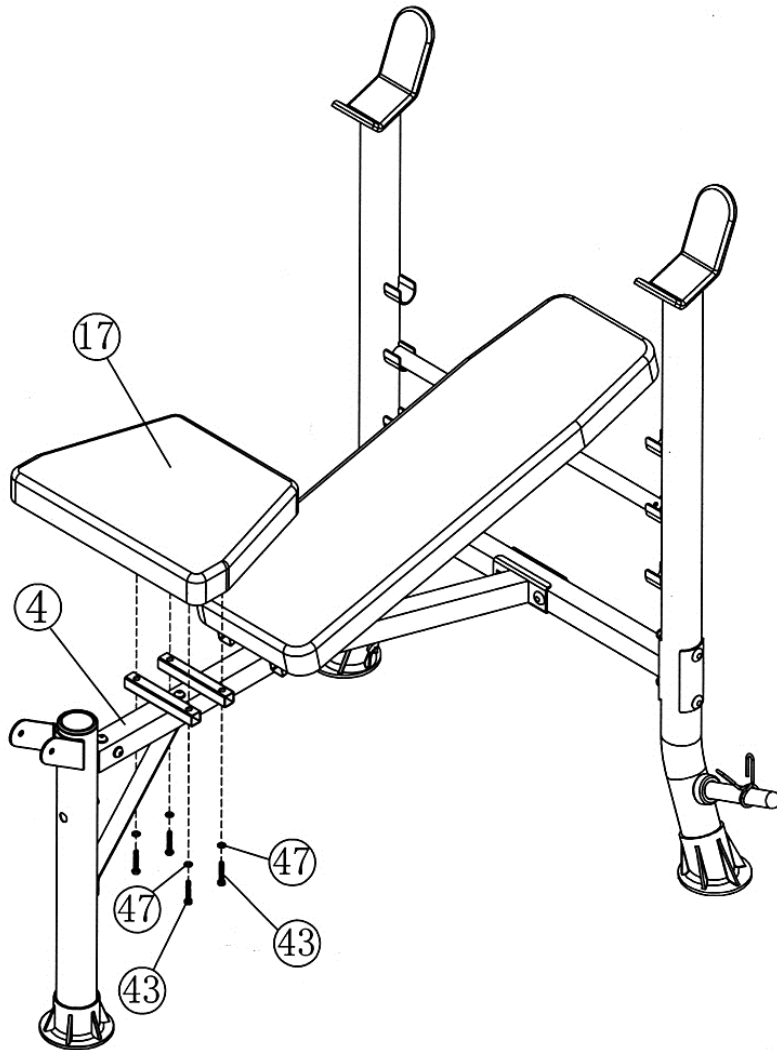
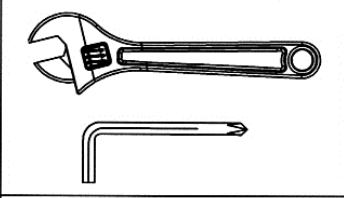


M6 x 1 $\frac{3}{8}$ "

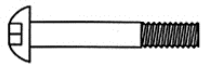
④⑦ × 4



Ø $\frac{1}{2}$ "

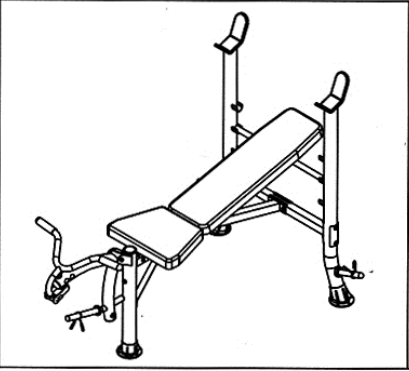
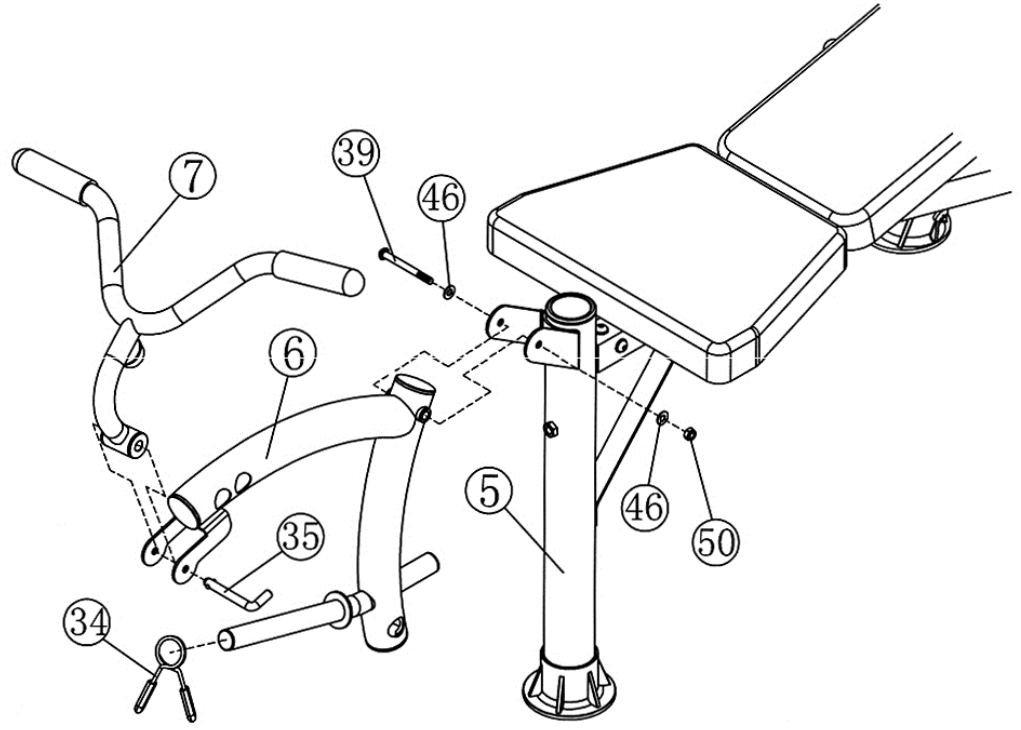
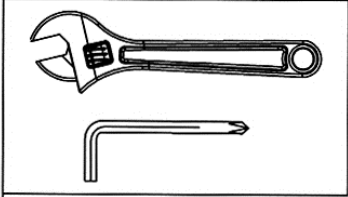


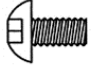
6

③9 × 1  M8 x 3 $\frac{1}{8}$ "

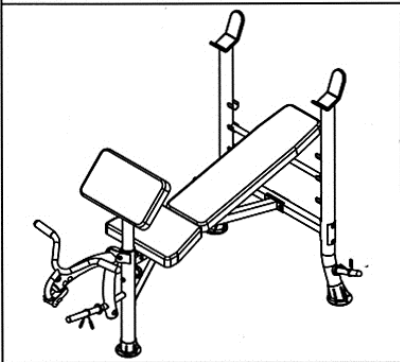
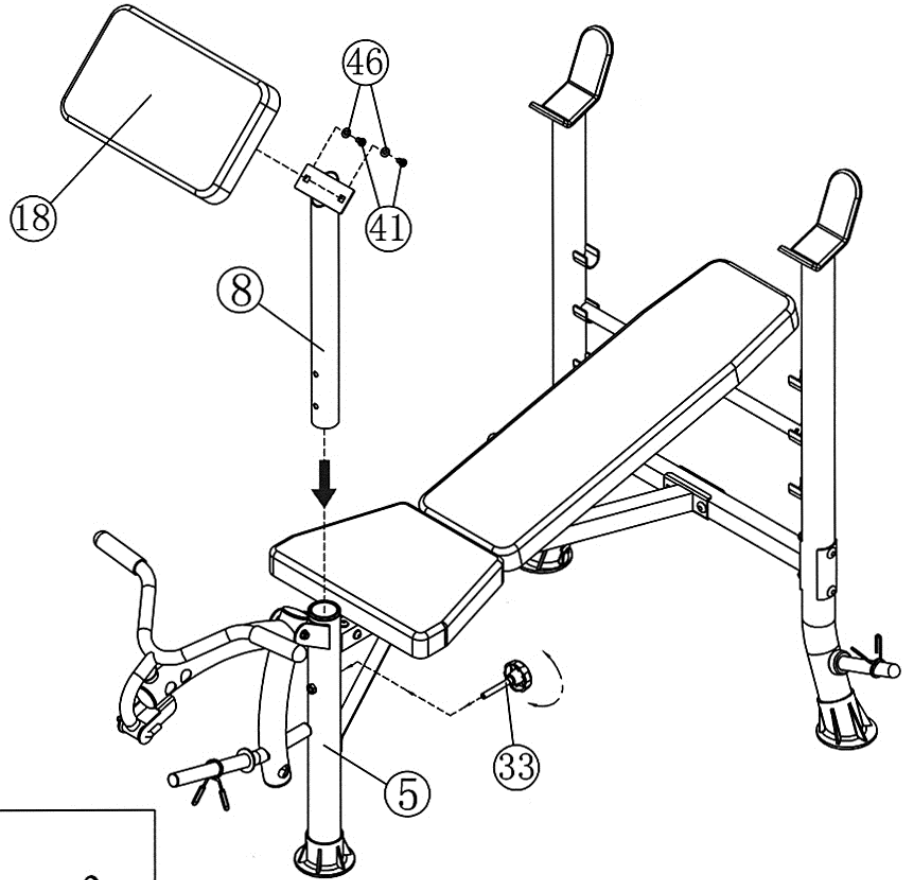
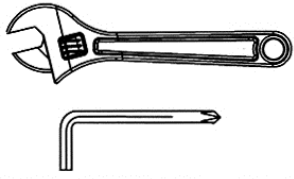
⑤0 × 1  M8

④6 × 2  $\varnothing \frac{5}{8}$ "

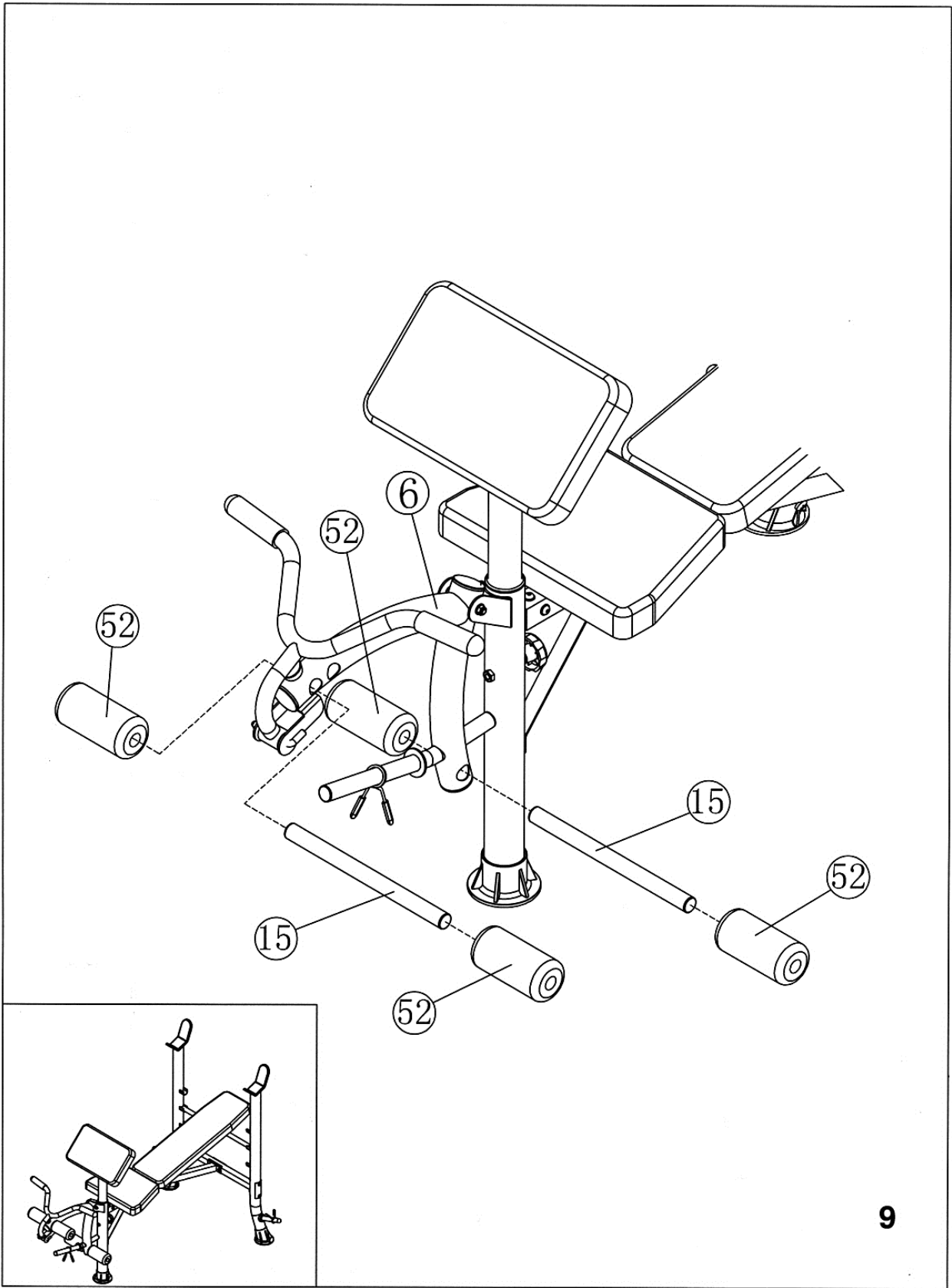


④①×2  M8 x $\frac{5}{8}$ "

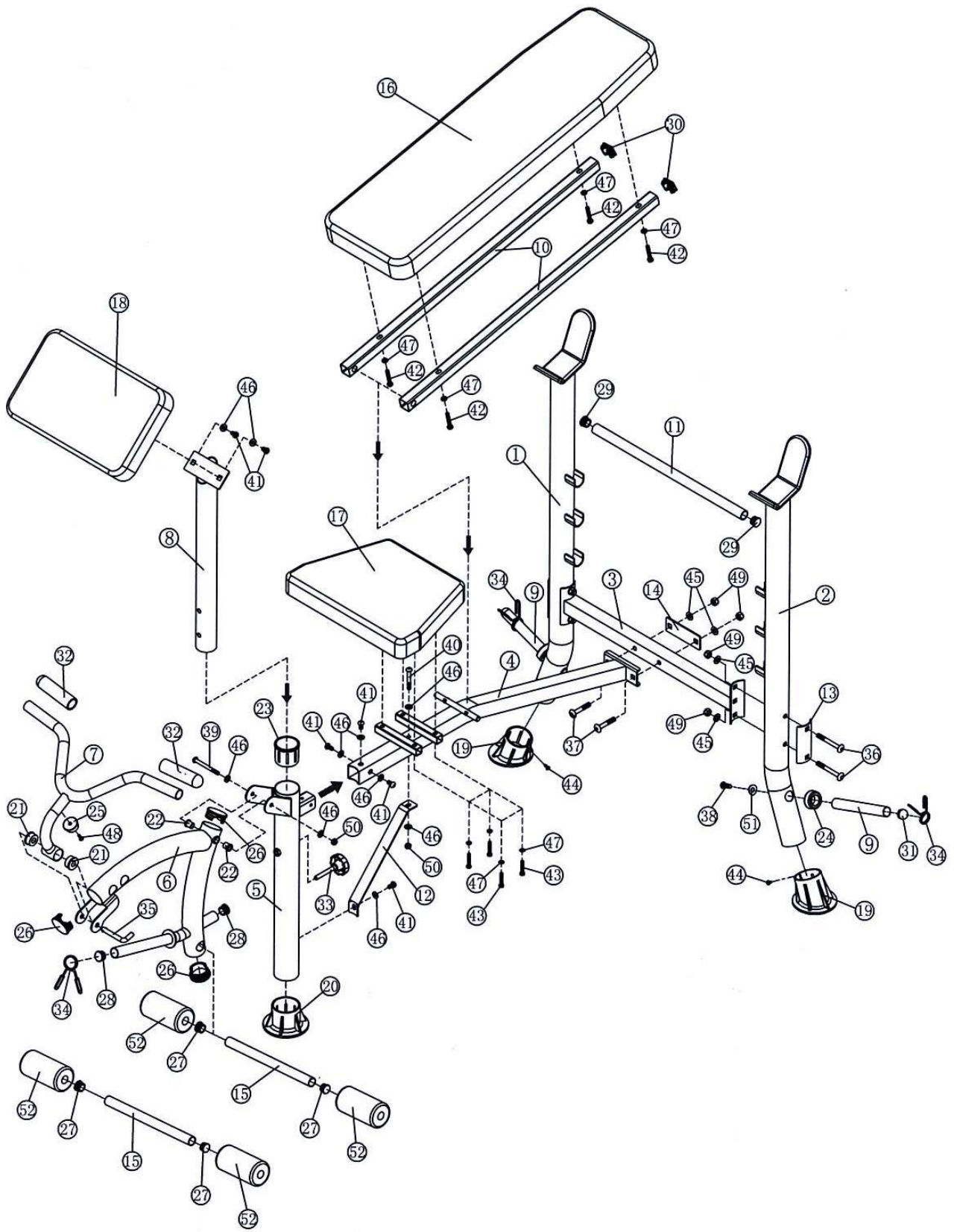
④⑥×2  $\varnothing \frac{5}{8}$ "



8



9



Pure-Tec Limited
Tel: +44 (0) 1482 212098
Monday – Friday 0800 – 1700 GMT
www.puretecfitness.com
service@puretecfitness.com