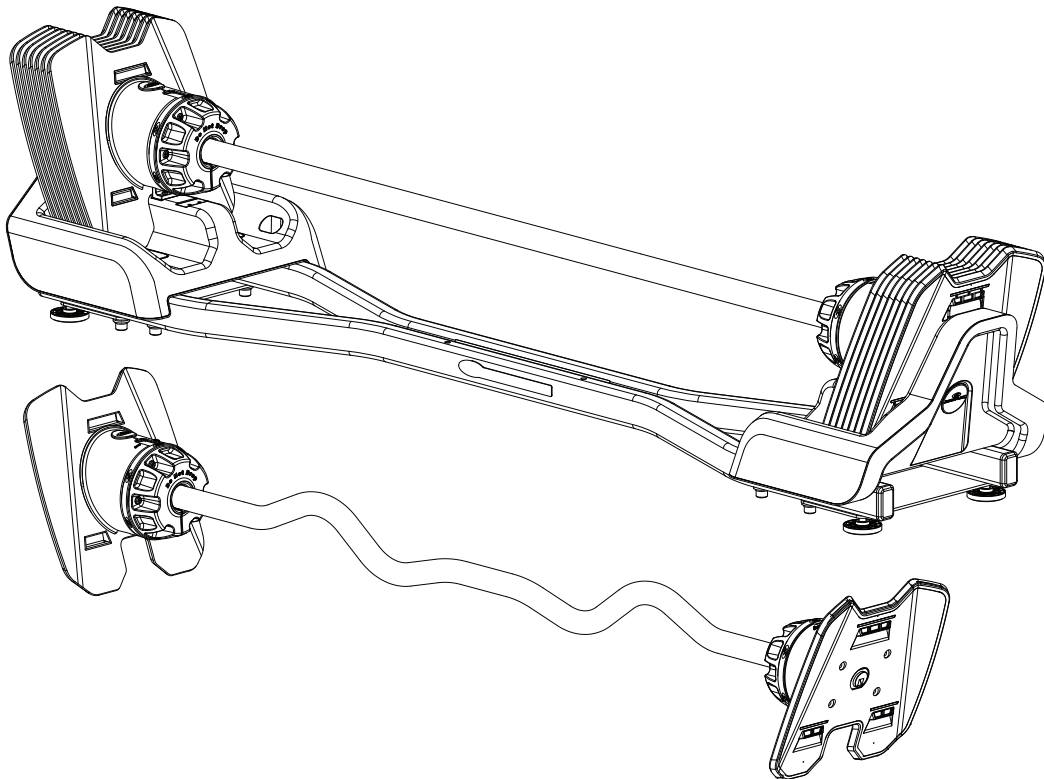




BOWFLEX™

SelectTech™

SelectTech™ 2080 Barbell with Curl Bar Assembly/Owner's Manual



For workout training videos, tips and fitness guidance for the Bowflex™ SelectTech™ 2080 Barbell with Curl Bar, go to:

<http://www.bowflex.com/2080>

<http://www.bowflex.ca/2080>

<http://global.bowflex.com/2080>



Specifications

Congratulations on the your purchase of the Bowflex™ SelectTech™ 2080 Barbell with Curl Bar. This innovative barbell set is a versatile training tool that will help you reach your fitness goal. This product has been carefully engineered and manufactured to provide a wide array of weight options starting at 20 lbs. (9 kg) and going all the way up to 80 lbs. (36 kg). The product is upgradable to 120 lbs. (54 kg) with the addition of the 40-lb Weight Upgrade. In order to utilize this product to its fullest extent, it is critical that you read and fully understand this owner’s manual prior to using the SelectTech™ barbell.

Table of Contents

Important Safety Instructions	3
Safety Warning Labels and Serial Number	4
Product Specifications	4
Before Assembly	5
Parts	5
Hardware	6
Tools	6
Assembly	6
Features	9
Operation	10
Getting to Know Your Bowflex™ SelectTech™ 2080 Barbell with Curl Bar	10
Understanding and Testing Locking Mechanism Function	11
Testing Proper Locking Mechanism Function	11
Optional Accessories.....	12
Maintenance.....	13
Troubleshooting Guide.....	14
Warranty (US/Canada only).....	15

To validate warranty support, keep the original proof of purchase and record the following information:

Serial Number _____ Date of Purchase _____

If purchased in US/Canada: To register your product warranty, go to: www.bowflex.com/register

Or call 1 (800) 605–3369.

If you have questions or problems with your product, please call 1 (800) 605–3369.

If purchased outside US/Canada: To register your product warranty, contact your local distributor.

For details regarding product warranty or if you have questions or problems with your product, please contact your local distributor. To find your local distributor, go to: www.nautilusinternational.com or www.nautilus.cn

Nautilus, Inc., 5415 Centerpoint Parkway, Groveport, OH 43125 USA, www.NautilusInc.com - Customer Service: North America (800) 605-3369, csnls@nautilus.com | Nautilus (Shanghai) Fitness Equipments Co, Ltd, Room 1701 & 1702, 1018 Changning Road, Changning District, Shanghai, China 200042, www.nautilus.cn - 86 21 6115 9668 | outside U.S. www.nautilusinternational.com | Printed in China | © 2019 Nautilus, Inc. | Bowflex, the B logo, SelectTech, Nautilus, and Schwinn are trademarks owned by or licensed to Nautilus, Inc., which are registered or otherwise protected by common law in the United States and other countries.

ORIGINAL MANUAL - ENGLISH VERSION ONLY

 This icon means a potentially hazardous situation which, if not avoided, could result in death or serious injury.

Before using this equipment, obey the following warnings:

 Read and understand the complete Owner's Manual. Keep Owner's Manual for future reference.

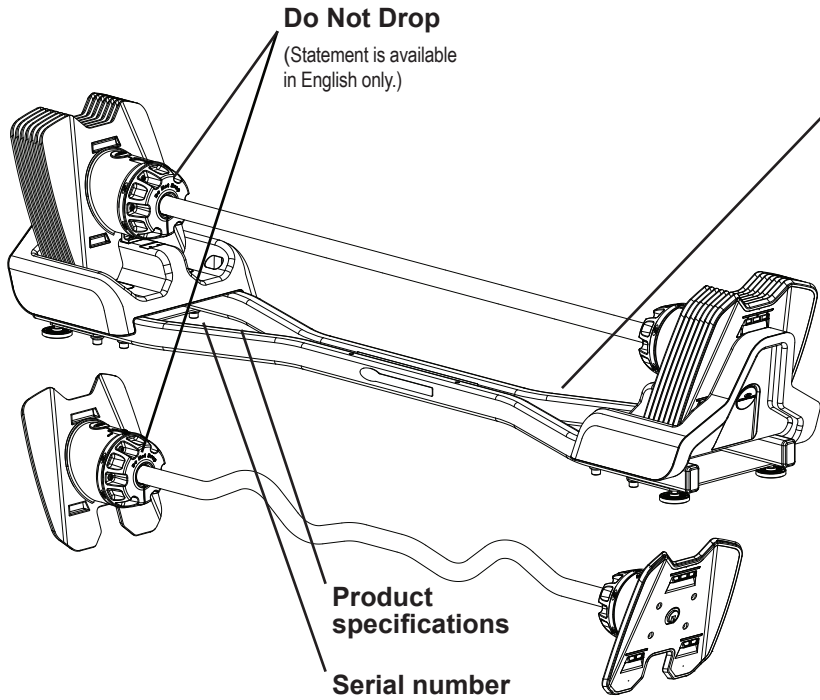
Read and understand all Warnings on this machine. If at any time the Warning stickers become loose, unreadable or dislodged, replace the labels. If purchased in US/Canada, contact Customer Service for replacement labels. If purchased outside US/Canada, contact your local distributor for them.

Carefully read and understand the Assembly instructions.

- Children must not be let on or near to this equipment. Moving parts and other features of the equipment can be dangerous to children.
- Keep bystanders and children away from the product you are assembling at all times.
- Make sure assembly is done in an appropriate work space away from foot traffic and exposure to bystanders.
- Some components of the equipment can be heavy or awkward. Use a second person when doing the assembly steps involving these parts. Do not do steps that involve heavy lifting or awkward movements on your own.
- This machine is for home use only. Do not place or use the machine in a commercial or institutional setting. This includes gyms, corporations, work places, clubs, fitness centers and any public or private entity that has a machine for use by its members, customers, employees or affiliates.
- Do not assemble or operate this machine outdoors or in moist or wet locations.
- Do all assembly steps in the sequence given. Incorrect assembly can lead to injury.
- Do not try to change the design or functionality of this equipment. This could compromise the safety of this equipment and will void the warranty.
- Do not use until the equipment has been fully assembled and inspected for correct performance in accordance with the Owner's Manual for your SelectTech™ Barbell with Curl Bar.
- Not intended for use by anyone under 14 years of age.
- Not intended for use by persons with medical conditions where those conditions may impact the safe operation of the Barbell/Curl Bar or pose a risk of injury to the user.
- Consult a physician before starting an exercise program. Stop exercising if you feel pain or tightness in your chest, become short of breath, or feel faint. Contact your doctor before using the machine again.
- Before you start your workout, make sure that your surroundings are free from possible interference and third parties. Your workout free space should be 0.6 m (24") more than the maximum reach of the exercise in all directions.
- Do not over exert yourself during exercise. Operate the machine in the manner described in this manual.
- Periodically inspect and test the locking mechanism for correct function. Follow the test procedures included in this manual.
- Do not try to force the Adjustment Knob to turn when the Barbell/Curl Bar has been removed from the Barbell base or when a weight plate is missing from the base.
- Do not let the Barbell/Curl Bar fall freely to the ground. Damage to the product and possible personal injury can occur.
- Do not lean on the Barbell/Curl Bar handle or use it to support your body weight, such as using it as a base to perform a push up. Damage to the product and possible personal injury can occur.
- Do not try to disassemble your Barbell/Curl Bar handles, or base assembly. The product is not designed to be serviced by the customer. If purchased in US/Canada, contact Customer Service for repair information. If purchased outside US/Canada, contact your local distributor for repair information.
- The Barbell/Curl Bar is very heavy. If you are not using the optional Barbell Stand, put the Barbell/Curl Bar assembly directly on the floor for best support.
- Do not store the barbell or curl bar handle assemblies in the vertical/upright position. Damage to the product and possible personal injury can occur.
- Children should be supervised to ensure that they do not play with the appliance.
- SAVE THESE INSTRUCTIONS

Safety Warning Labels and Serial Number

Record serial number in the Serial Number field at the beginning of this manual.



WARNING

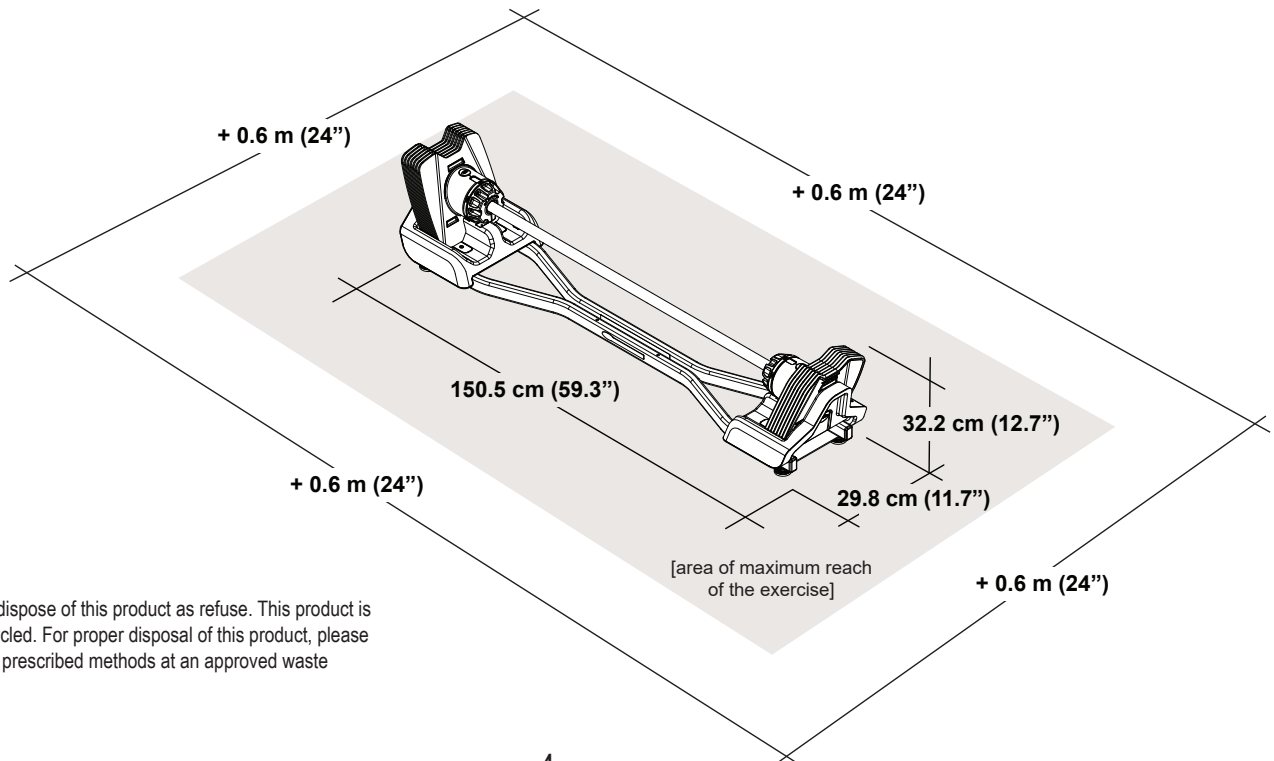
- This product is for Home use only.
- Not intended for use by anyone under 14 years of age.
- Consult a physician prior to using any exercise equipment.
- Keep children and pets away from this machine at all times.
- Use Caution when you use this equipment or serious injury can occur.
- Prior to use, read and understand the Owner's Manual, including all Warnings.
- Inspect product before use. Do not use if any parts are in need of repair.
- Replace any "Caution" "Warning" or "Danger" label that is illegible, damaged, or removed

(The label on the product is available in English, French Canadian and Chinese only.)

Specifications

Total Surface Area (footprint) of equipment: 4484.9 cm²

Barbell with Curl Bar Assembly Weight: 53.2 kg (117.3 lbs)



DO NOT dispose of this product as refuse. This product is to be recycled. For proper disposal of this product, please follow the prescribed methods at an approved waste center.

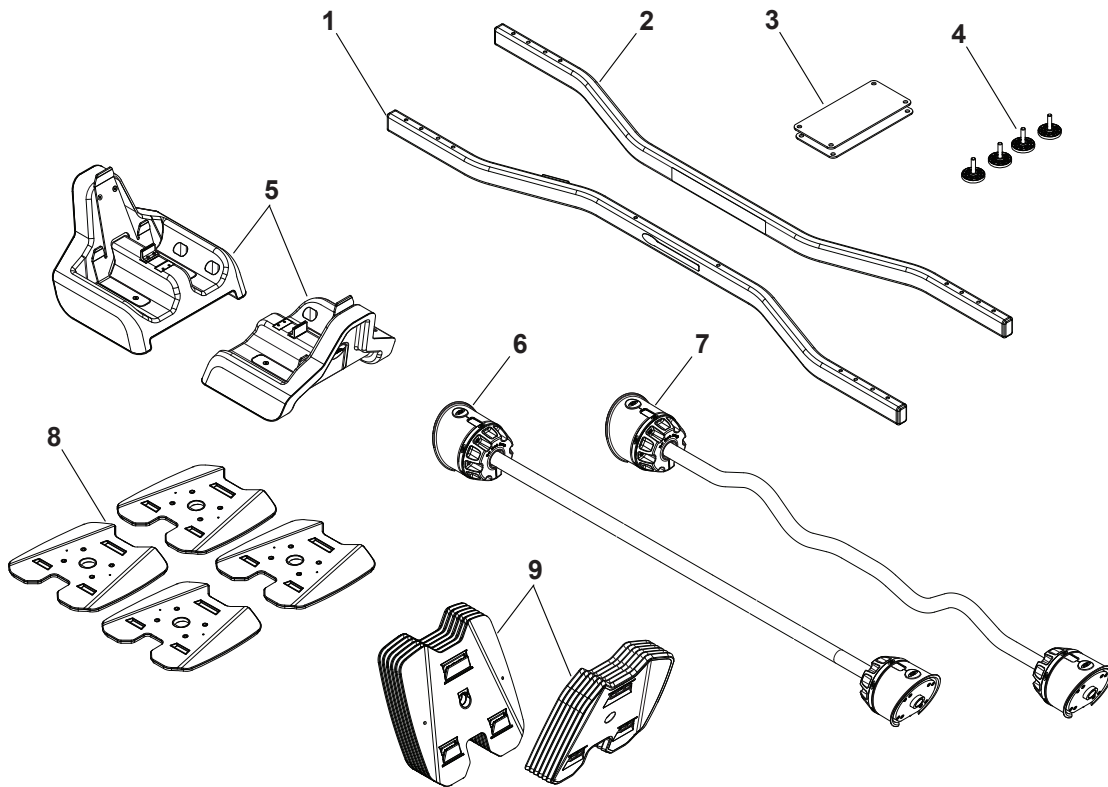
Select the area where you are going to set up and operate your equipment. For safe operation, the location must be on a hard, level surface. Allow a workout area of minimum 3 m x 3 m (120" x 120").

Basic Assembly Tips

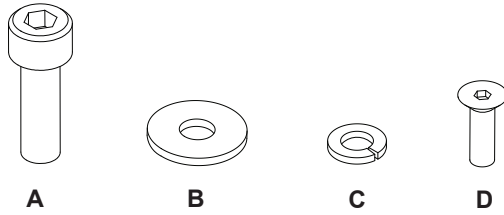
Follow these basic points when you assemble your equipment:

1. Read and understand the "Important Safety Instructions" before assembly.
2. Collect all the pieces necessary for each assembly step.
3. Using the recommended wrenches, turn the bolts and nuts to the right (clockwise) to tighten, and the left (counterclockwise) to loosen, unless instructed otherwise.
4. When attaching 2 pieces, carefully lift and look through the bolt holes to help insert the bolt through the holes.

Parts



Item	Description	Qty
1	Base Tube, Front	1
2	Base Tube, Rear	1
3	Base Plates	2
4	Levelers	4
5	Base End Shrouds	2
6	Barbell Handle Assembly	1
7	Curl Bar Handle Assembly	1
8	Adapter Plates	4
9	5-lb (2.27 kg) Weight Plates	12



Item	Description	Qty
A	Socket Head Cap Screw M8 X 25	16
B	Flat Washer M8	8
C	Spring Lock Washer M8	8
D	Flat Head Socket Cap Screw M5 X 16	16

Tools

Included



3 mm
6 mm

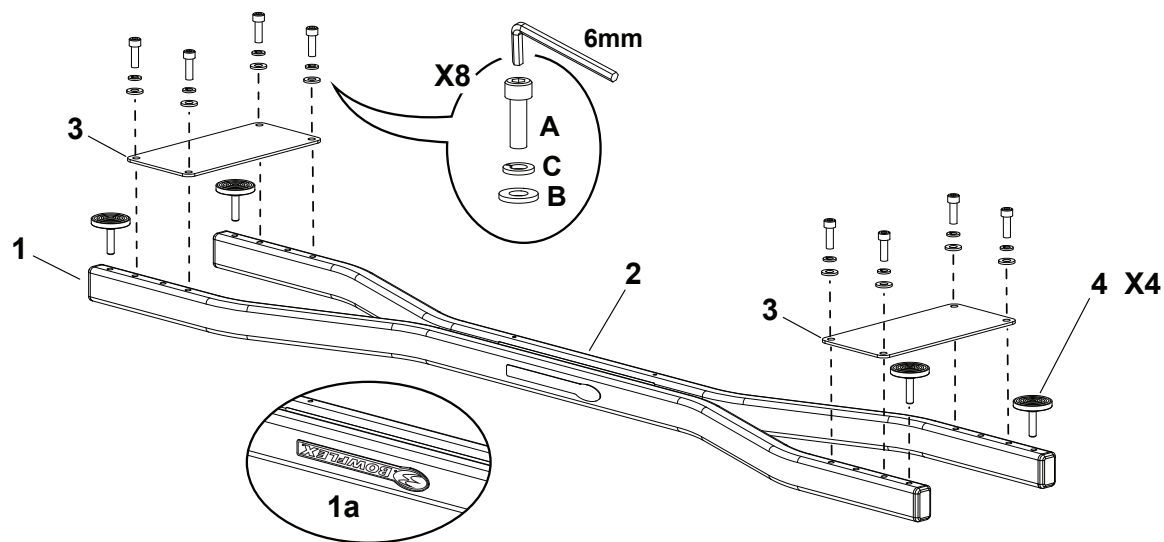
Assembly

If you are assembling the Barbell with Curl Bar set and the optional Stand with Media Rack together, refer to the Bowflex™ SelectTech™ 2080 Stand with Media Rack Assembly Manual for assembly instructions.

1. Attach Base Plates to Base Tubes, then Install Levelers.

Note: Be sure to attach the Base Plates to the bottom of the tubes so that the label (1a) will be right side up after assembly. Hand tighten all screws, then fully tighten. Install the Levelers.

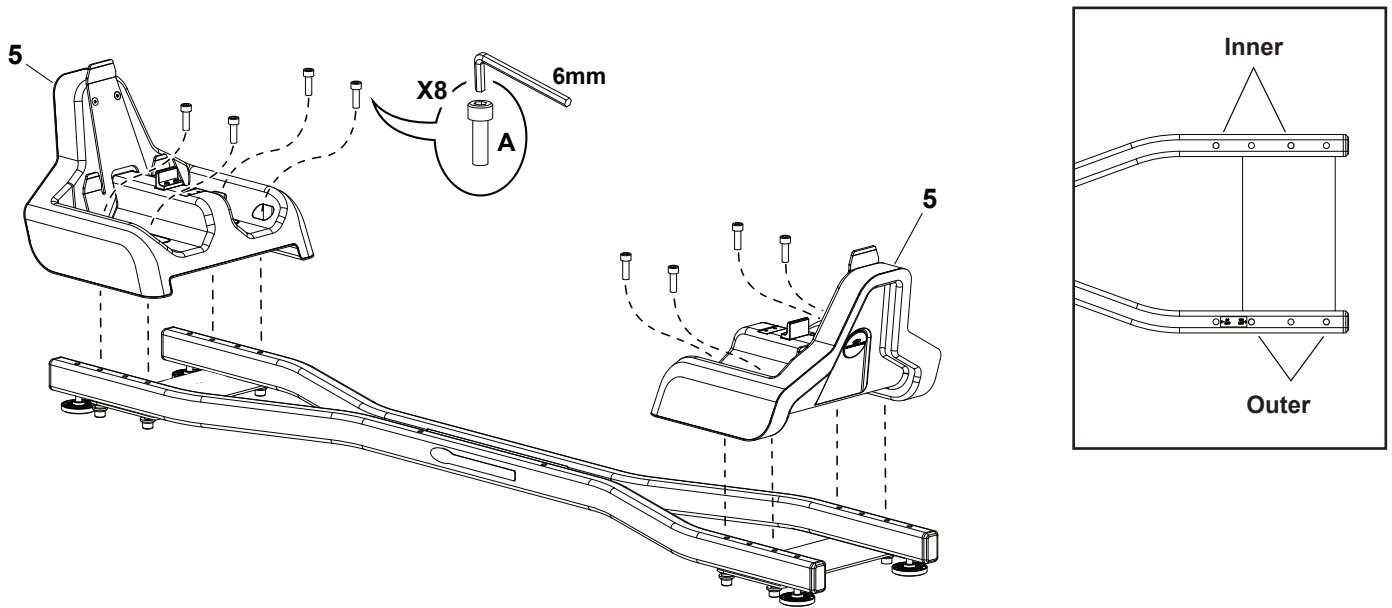
Turn the Base assembly right side up and adjust the Levelers so that the assembly is level and stable.



2. Attach Base End Shrouds

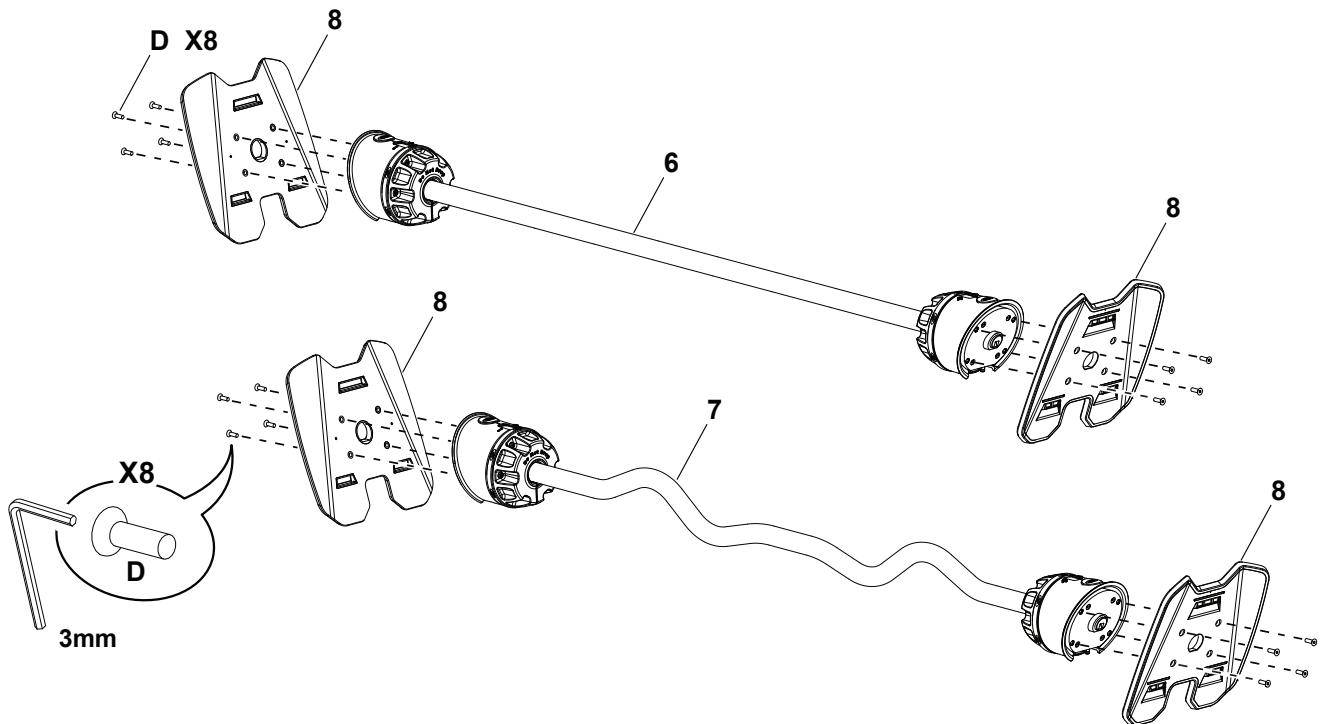
Note: Do not fully tighten screws. Shrouds should still slide.

NOTICE: Use the inner set of screw holes in the Base Tubes to fit the 80-lb barbell configuration. If the Barbell will have the 40-lb Weight Upgrade (the 120-lb configuration), use the outer set of screw holes in the Base Tubes.



3. Attach Adapter Plates to Barbell Handle and Curl Bar Handle

NOTICE: Ensure the Adapter Plates are oriented correctly. The screws must enter the countersink holes on the back of the plates.

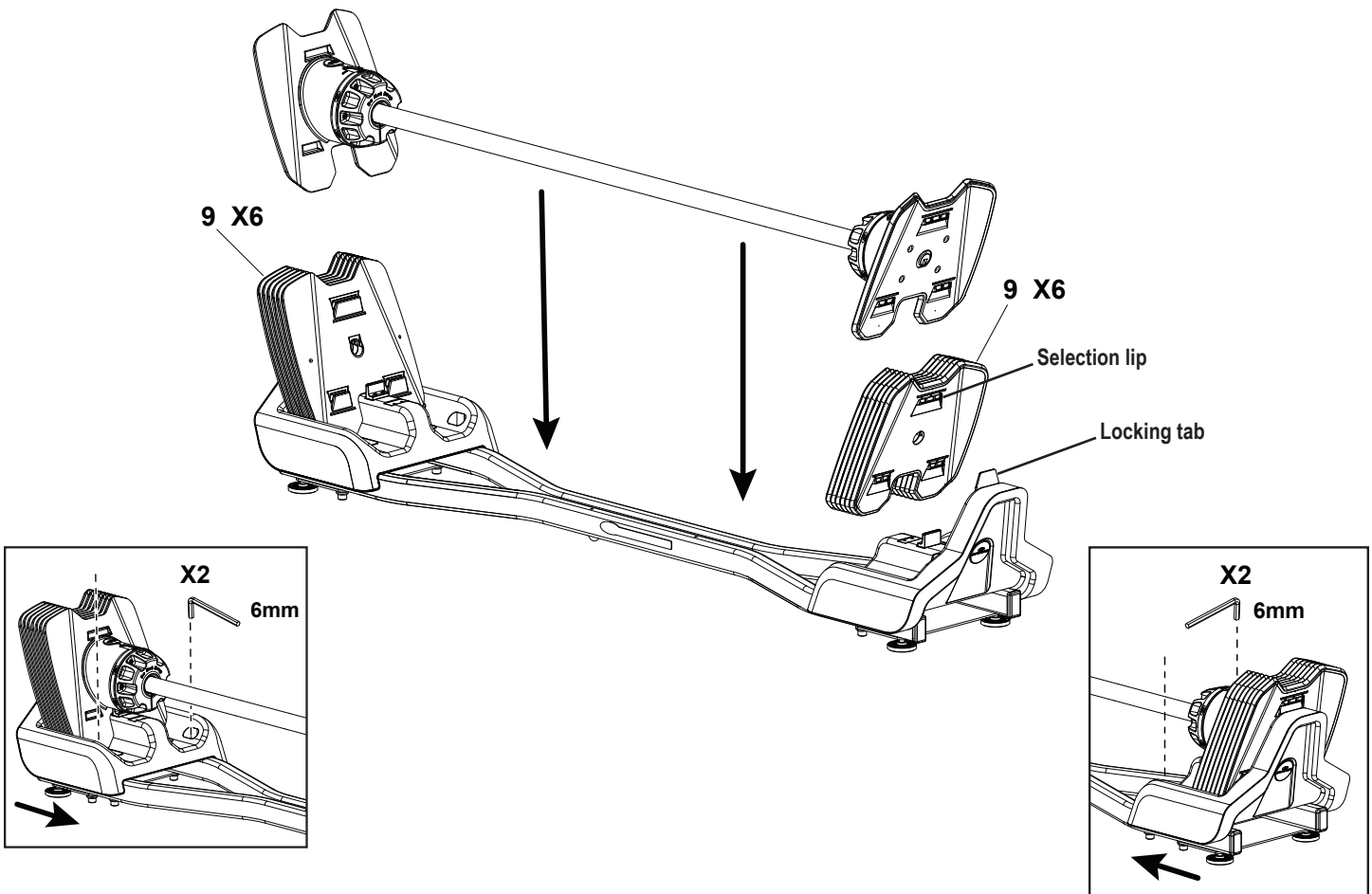


4. Put Weight Plates and Barbell Assembly in the Base, and Adjust Base End Shrouds

! In order to avoid possible serious injury, when placing the Weight Plates in the Base Assembly, be careful to avoid fingers or hands being caught or pinched.

NOTICE: Be sure that the Weight Plates are fully seated in the Base. Ensure there are no large gaps between Weight Plates, and all weight plate tabs are aligned and locked together. Make sure the locking tab at the top of each Base End Shroud is seated in the selection lip at the top of the back Weight Plate.

Push the shrouds inward. Tighten the inner screws. To tighten the outer screws, it may be necessary to remove the Barbell and Weight Plates. This adjustment is important for proper function and easier re-racking. If the barbell is difficult to re-rack after assembly, it may be necessary to repeat this process.



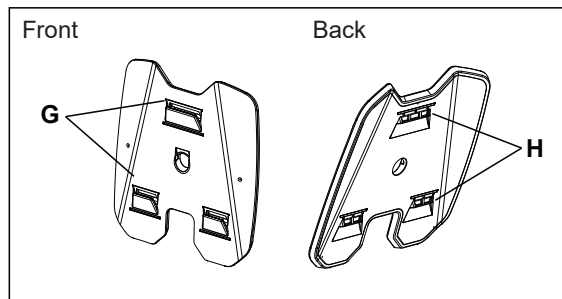
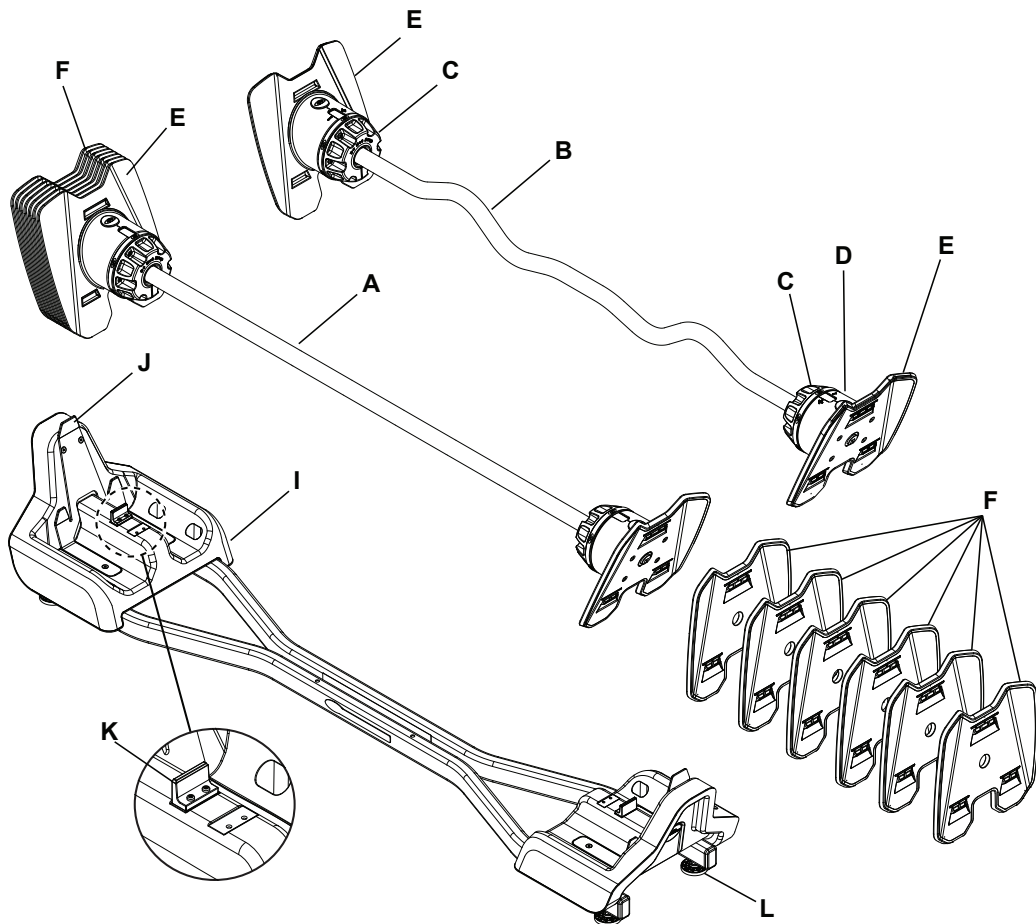
5. Final Inspection

Inspect your machine to ensure that all fasteners are tight and components are properly assembled.

Be sure to record the serial number in the field provided at the front of this manual.

! Do not use until the machine has been fully assembled and inspected for correct performance in accordance with the Owner's Manual.

- A. Barbell handle
- B. Curl bar handle
- C. Adjustment knob
- D. Weight selection housing
- E. Adapter plates
- F. Weight plates - 5 lb (2.27 kg)
- G. Locking tab, plate
- H. Selection lip
- I. Base
- J. Locking tab, base
- K. Lock pin actuator, base
- L. Leveler



There are 7 weight increments for the basic 2080 product and 4 weight increments for the 40-lb Weight Upgrade.

20	30	40	50	60	70	80
9.1 kg	13.6 kg	18.1 kg	22.7 kg	27.2 kg	31.8 kg	36.3 kg

90	100	110	120
40.8 kg	45.4 kg	49.9 kg	54.4 kg

Note: Weight increments represent estimated values only. Exact values can vary due to manufacturing variances.

Getting to know your Bowflex™ SelectTech™ Barbell with Curl Bar

The Bowflex™ SelectTech™ 2080 barbell set includes one barbell and one curl bar. After carefully removing the barbell from its box and assembling it, there are some initial steps that should be taken to familiarize you with the function of the product, and to assure that all aspects of the barbell and curl bar are performing according to their specifications.

⚠ Do not drop the barbell/curl bar. Dropping the barbell/curl bar will damage the weight plates and/or the locking mechanism, and can cause the weight plates to disengage (drop) from the handle without warning. This can cause serious injury, and will void the warranty.

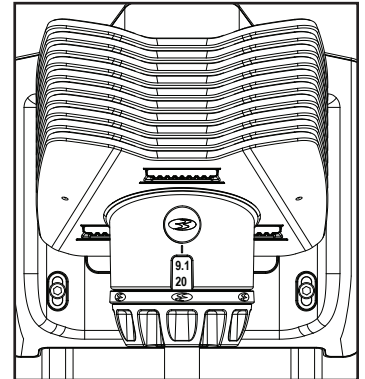
1. After removing the barbell and curl bar from their protective packaging, inspect the products and packaging material for any damages. Assemble the products.

⚠ Use proper safety precautions and lifting techniques. Bend your knees and elbows, keep your back straight and pull up equally with both arms. Straighten your legs to lift.

2. Push down slightly on the handle assembly to make sure it is fully seated in the base. Rotate each adjustment knob several full rotations to make sure it turns freely in both directions. Make sure there is a click at each weight increment of the adjustment knob. This click will help you locate the proper alignment to select a given weight increment.
3. The weight increments range from 20 to 120 lbs (9.1 kg to 54.4 kg) on both adjustment knobs. The 90 – 120 lbs increments are used for the 40-lb upgrade kit.

To properly select a given weight (20 lbs [9.1 kg] for example), rotate both adjustment knobs until that number (20) is aligned with the line located on the inward edge of the Bowflex™ logo (Fig. 1).

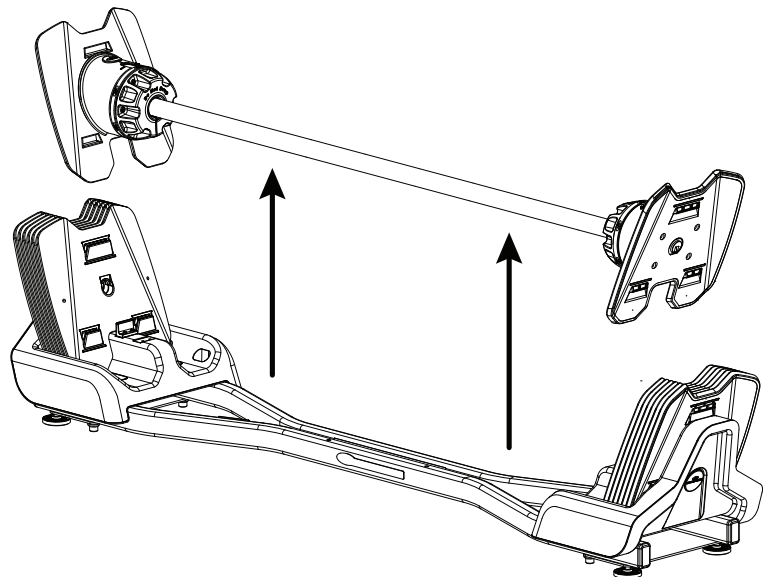
Figure 1



4. After confirming the proper rotational function of the adjustment knob, turn each adjustment so that the number 20 is aligned with the arrow in the Bowflex™ nameplate.
5. With both adjustment knobs set to 20, pull the handle assembly straight up from the barbell. This will remove only the handle assembly (with adapter plates) from the base, leaving all of the weight plates standing in the base (Fig. 2). The handle assembly represents the starting weight of 20 lbs (9.1 kg).
6. After returning the handle assembly to the base, you may increase the selected weight by rotating each adjustment knob clockwise.
7. The barbell handle and weight plates are symmetrical and interchangeable. The handle is inserted with either end facing the user, provided that you have selected the same weight number on both ends of the barbell.

NOTICE: When you remove the barbell from the base or return it to the base, use a vertical motion, perpendicular to the base. Do not tilt the barbell or move it laterally (parallel to the base) until it is fully clear of the unselected weight plates.

Figure 2



⚠ Do not lean on the barbell handle or use it to support your body weight, such as using it as a base to perform a push up. Doing so will damage the weight plates and/or the locking mechanisms, and can cause the weight plates to disengage (drop) from the handle without warning. This can cause serious injury, and will void the warranty.

⚠ Inspect the barbell prior to each use. Do not use a barbell with worn or damaged parts. Some light surface scratches on the end weight plates may occur and this is expected, but deeper gouges may cause problems. Contact Customer Service (if inside US/Canada) or your local distributor (if outside US/Canada) for repair information.

Understanding and testing the locking mechanism function

The Bowflex™ SelectTech™ Barbell features an exclusive locking mechanism designed to ensure proper and complete selection of the weight plates as well as to ensure weight plate retention during the workout.

! Fully understand the function of this mechanism and do tests of the mechanism regularly to make sure it operates correctly.

Function

The locking mechanism provides a key function:

The mechanism will only allow the adjustment knobs to be rotated when the barbell handle is completely inserted and engaging the barbell base.

Purpose

The locking mechanism serves an important purpose:

The mechanism will prevent deselecting (dropping) weight plates from the barbell when it is NOT in the barbell base.

Given the importance of this locking mechanism, it is critical that you understand how it operates, and periodically test it to make sure it is functioning correctly.

Testing proper locking mechanism function

! Some components of the machine can be heavy or awkward. Use a second person when doing the steps involving these parts. Do not do steps that involve heavy lifting or awkward movements on your own.

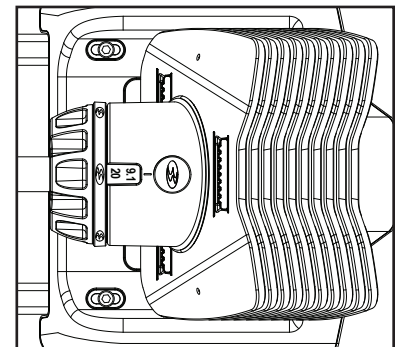
1. With the barbell handle set in the barbell base, turn both adjustment knobs to the number 20. You will know you have fully and correctly selected the number when you feel the adjustment knob settle into a notch (known as a detent). You will also hear a slight, but audible, clicking noise that corresponds with the detent locations for each number.
2. You should be able to withdraw the handle from the base leaving all the weight plates behind.
3. With the handle removed from the base, grab one adjustment knob with your other hand and gently attempt to turn the knob, the knob should not rotate. A locking pin in the mechanism will have engaged the rotational assembly when the unit was withdrawn from the base. Perform this test with all adjustment knobs.

! Do not use too much force to try to turn the locked adjustment knob. Too much force can damage the locking mechanism.

4. After confirming the proper function of the locking mechanism as described above, return and fully insert the barbell handle back into the base assembly.
5. With the handle back in the base, attempt to turn the adjustment knob on one side to a position that is between the numbers 20 and 30. It should not be possible to stop the adjustment knob in this “in-between” position. The spring action of the knob should automatically select either the 20-lb or 30-lb position.
6. Ensure that the adjustment knob has returned to a full and proper weight selection and assure that the barbell handle can once again be removed.
7. Repeat this test for all adjustment knobs.
8. Assure the entire barbell handle assembly is properly tightened. Do this by setting the adjustment knobs to 20 pounds and removing the handle assembly from the base. Grab both adjustment knobs and very slightly push and pull the knobs toward and away from the handle grip. The knobs should not exhibit excessive free play.

! This step requires two people. Do not use too much force to try to turn the locked adjustment knob. Too much force can damage the locking mechanism.

9. You have now tested the function of the locking mechanisms. We suggest you repeat this test monthly to make sure that the locking mechanisms operate correctly.



Optional Accessories

! Use a second person to move the barbell and base together. To lift the barbell and base together, grasp each end of the base assembly under the base tubes. Make sure that you and others are all physically fit and able to move the equipment safely.

If the barbell locking mechanism operates unsatisfactorily in the test procedure above, do the following:

1. Stop use of the product immediately until approved service is available.
2. Contact Customer Service (if inside US/Canada) or your local distributor (if outside US/Canada).

Exercises

For instructions on working out with the Bowflex™ SelectTech™ 2080 Barbell with Curl Bar, you can watch the exercise videos provided online at:

<http://www.bowflex.com/2080>

<http://www.bowflex.ca/2080>

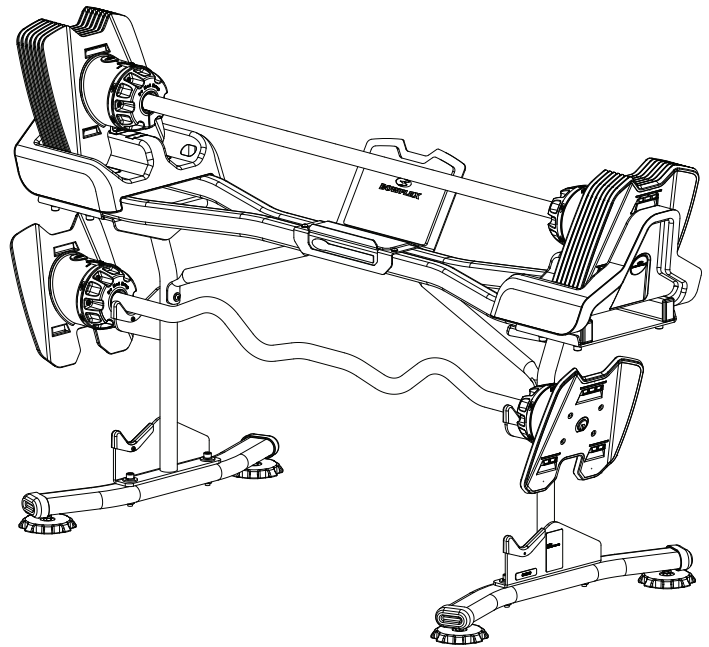
<http://global.bowflex.com/2080>

Optional Accessories

Bowflex™ SelectTech™ 2080 Stand with Media Rack

This attractive stand features an ergonomic design to enhance the functionality of the SelectTech™ barbell.

- The design allows the user to maintain proper upper body position while lifting or replacing the barbells in the base.
- Cradle for unused 20lb bar (curl or barbell). Additional cradle eases transitioning from one bar to another.
- Large adjustable stabilizer feet assure maximum stability.
- Integrated media rack.
- Dimensions (with 80-lb barbell): 150.1 cm L x 60.5 cm W x 81.5 cm H (59.3" L x 11.7" W x 12.7" H)



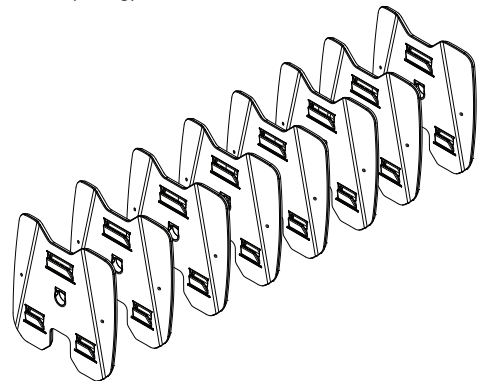
Bowflex™ SelectTech™ 2080 Weight Upgrade

The 40-lb Weight Upgrade kit allows for upgrade of the SelectTech™ 2080 barbell system to 120 lbs total (54 kg).

- The 8 weight plates (4 plates on each side) increase the weight in 10-lb increments for each pair of plates.
- The additional plates seat within the original base.
- The existing weight selection dial already provides increments for up to 120 lbs in the original product. The 90 – 120 lbs increments are used for the 40-lb Weight Upgrade kit.

Optional exercise bench and mat are available separately.

Additional products are available from Nautilus, Inc. at www.nautilusinc.com



! Equipment must be regularly examined for damage and repairs. The owner is responsible to make sure that regular maintenance is done. Worn or damaged components must be replaced immediately or the equipment removed from service until the repair is made. Only manufacturer supplied components can be used to maintain and repair the equipment.

If at any time the Warning labels become loose, unreadable or dislodged, replace the labels. If purchased in US/Canada, contact Customer Service for replacement labels. If purchased outside US/Canada, contact your local distributor for them.

The Bowflex™ SelectTech™ Barbell is a very low maintenance product. However, there are steps that you should take to keep the product performing and looking its very best.

1. Should your SelectTech™ Barbell handle assembly, plates or base become soiled you may clean them with a cloth lightly dampened with warm water and a small amount of mild soap. Wipe dry with a separate cloth.
2. The SelectTech™ Barbell is internally lubricated and will not require further internal lubrication. The contact between weight plates and selection mechanism is not lubricated but has naturally low friction. This generally will not require any lubrication. Should you feel it necessary to lubricate the weight plates and/or selection mechanism, use only a 100% silicon lubricant.

! Do not use any solvents, harsh detergents, chemicals or bleach on this product – doing so may damage the materials, resulting in degradation of the product's performance or strength.

Do not attempt to disassemble the barbell/curl bar handle or base assembly. These items are not designed to be user serviced. Doing so will void the manufacturers warranty. Contact Customer Service (if inside US/Canada) or your local distributor (if outside US/Canada).

Troubleshooting

Problem	Solution
<p>Barbell handle does not fully insert into base when no plates are selected (handle has no plates attached).</p>	<ol style="list-style-type: none"> 1. Make certain that both adjustment knobs are set directly to the number 20. 2. Ensure that base spacing is set correctly per step 6 of the assembly instructions. 3. Ensure that the correct number of plates are installed in each side of the base (6 for the 80-lb version, 10 with the 40-lb Weight Upgrade).
<p>Barbell handle does not fully insert into base when plates are selected (handle has plates attached).</p>	<ol style="list-style-type: none"> 1. Check to see if you have selected different weights on each side of the barbell (for example one adjustment knob is set to 20 and the other is set to 30). If this is the case, you must replace the barbell in the base with the same orientation from which it was withdrawn. This is to allow the plates to settle back into the correct and vacant openings in the base. 2. Verify that the plates not selected (those plates remaining in the barbell base) are in their correct spots and are correctly seated with all tabs interlocked. This may be blocking the barbell from fitting back into the base. 3. Ensure that base spacing is set correctly (refer to step 6 of the assembly instructions). 4. If you are using the 40-lb Weight Upgrade, ensure that the lock pin actuator was set correctly per the assembly instructions. 5. Ensure that the correct number of plates are installed in each side of the base (6 for the 80-lb version, 10 with the 40-lb Weight Upgrade).
<p>Adjustment knob will not turn while handle is in base.</p>	<ol style="list-style-type: none"> 1. Check to assure that the barbell handle is fully depressed into the barbell base. If not fully depressed, the locking mechanism will not be released and may prevent the adjustment knobs from rotating. 2. Check to see if there is any dirt, debris or other obstruction in the barbell base. You may need to remove the weight plates from the base to accomplish this check. Remember to put each weight plate back in its appropriate location with the selection lip facing away from the barbell grip. 3. Verify that all plates (with correct number per side) are correctly seated in the base with all tabs properly interlocked. The adjustment knob mechanism may be blocked if any plates are not seated properly into the base or if any weight plates are missing from the base—for example, plates that are still mounted on the handle that is not in use. 4. If weight plates are missing from the base and the handle selection rods do not engage plates for the selected weight (plates are on the other handle), set the the handle that you are currently using to 20 and remove it from the base. Rerack the handle that holds the missing weight plates into the barbell base. Set the selection dial to 20 and remove the handle, leaving the weight plates in the base.

Who Is Covered

This warranty is valid only to the original purchaser and is not transferable or applicable to any other person(s).

What Is Covered

Nautilus, Inc. warrants that this product is free from defects in materials and workmanship, when used for the purpose intended, under normal conditions, and provided it receives proper care and maintenance as described in the Product's Assembly and Owner's manual. This warranty is good only for authentic, original, legitimate machines manufactured by Nautilus, Inc. and sold through an authorized agent and used in the United States or Canada.

Terms

Warranty terms for products purchased in US/Canada are as stated below.

- Mechanical parts 3 years

For warranty & service of products purchased outside US/Canada, please contact your local distributor. To find your local international distributor, go to: www.nautilusinternational.com

How Nautilus Will Support the Warranty

Throughout the terms of the warranty coverage, Nautilus, Inc. will repair any machine that proves to be defective in materials or workmanship. Nautilus reserves the right to replace the product in the event a repair is not possible. When Nautilus determines replacement is the correct remedy, Nautilus may apply a limited credit reimbursement toward another Nautilus, Inc. brand Product, at our discretion. This reimbursement may be prorated based on length of ownership. Nautilus, Inc. is not responsible for dealer labor or maintenance charges beyond the applicable warranty period(s) stated herein. Nautilus, Inc. reserves the right to substitute material, parts or products of equal or better quality if identical materials or products are not available at the time of service under this warranty. Any replacement of the product under the terms of the Warranty in no way extends the original Warranty period. Any limited credit reimbursement may be prorated based on length of ownership. THESE REMEDIES ARE THE EXCLUSIVE AND SOLE REMEDIES FOR ANY BREACH OF WARRANTY.

What You Must Do

- Retain appropriate and acceptable Proof of Purchase.
- Operate, maintain, and inspect the product as specified in the Product Documentation (Assembly, Owner's Manuals, etc.).
- Product must be used exclusively for the purpose intended.
- Notify Nautilus within 30 days after detecting an issue with the product.
- Install replacement parts or components in accordance with any Nautilus instructions.
- Perform diagnostic procedures with a trained Nautilus, Inc representative if requested.
- This warranty does not cover in home repair costs (labor, etc) or related charges.

What Is Not Covered

- Damage due to abuse, tampering or modification of the Product, failure to properly follow assembly instructions, maintenance instructions, or safety warnings as stated in the Product Documentation (Assembly, Owner's Manuals, etc), damage due to improper storage or the effect of environmental conditions such as moisture or weather, misuse, mishandling, accident, natural disasters, power surges.
- A machine placed or used in a commercial or institutional setting. This includes gyms, corporations, work places, clubs, fitness centers and any public or private entity that has a machine for use by its members, customers, employees or affiliates.
- Damage caused by exceeding maximum user weights as defined in Products Owner's Manual or on the warning label.
- Damage due to normal usage and wear and tear.
- This warranty does not extend to any territories or countries outside the United States and Canada.

How to Obtain Warranty Support

For Products purchased directly from Nautilus, Inc. contact the Nautilus office listed on the Contacts page of the Product's Owner's manual. You may be required to return the defective component to a specified address for repair or inspection, at your expense. Standard ground shipping of any warranty replacement parts will be paid by Nautilus, Inc. For products purchased from a retail outlet, you may be asked to contact your retailer for warranty support.

Exclusions

The preceding warranties are the sole and exclusive express warranties made by Nautilus, Inc. They supersede any prior, contrary or additional representations, whether oral or written. No agent, representative, dealer, person or employee has the authority to alter or increase the obligations or limitations of this warranty. Any implied warranties, including the WARRANTY OF MERCHANTABILITY and any WARRANTY OF FITNESS FOR A PARTICULAR PURPOSE, are limited in duration to the term of the applicable express warranty provided above, whichever is longer. Some states do not allow limitations on how long an implied warranty lasts, so the above limitation may not apply to you.

Limitation of Remedies

EXCEPT AS OTHERWISE REQUIRED BY APPLICABLE LAW, THE PURCHASER'S EXCLUSIVE REMEDY IS LIMITED TO REPAIR OR REPLACEMENT OF ANY COMPONENT DEEMED BY NAUTILUS, INC. TO BE DEFECTIVE UNDER THE TERMS AND CONDITIONS STATED HEREIN. IN NO EVENT WILL NAUTILUS, INC. BE LIABLE FOR ANY SPECIAL, CONSEQUENTIAL, INCIDENTAL, INDIRECT OR ECONOMIC DAMAGES, REGARDLESS OF THE THEORY OF LIABILITY (INCLUDING, WITHOUT LIMITATION, PRODUCT LIABILITY, NEGLIGENCE OR OTHER TORT) OR FOR ANY LOST REVENUE, PROFIT, DATA, PRIVACY OR FOR ANY PUNITIVE DAMAGES ARISING OUT OF OR RELATED TO THE USE OF THE FITNESS MACHINE EVEN IF NAUTILUS, INC. HAS BEEN ADVISED OF THE POSSIBILITY OF SUCH DAMAGES. THIS EXCLUSION AND LIMITATION SHALL APPLY EVEN IF ANY REMEDY FAILS OF ITS ESSENTIAL PURPOSE. SOME STATES DO NOT ALLOW THE EXCLUSION OR LIMITATION OF CONSEQUENTIAL OR INCIDENTAL TYPE DAMAGES SO THE ABOVE LIMITATION MAY NOT APPLY TO YOU.

State Laws

This warranty gives you specific legal rights. You may also have other rights, which vary from state to state.

Expirations

If the warranty has expired, Nautilus, Inc. may assist with replacements or repairs to parts and labor, but there will be a charge for these services. Contact a Nautilus office for information on post-warranty parts and services. Nautilus does not guarantee availability of spare parts after expiration of warranty period.

International Purchases

If you purchased your machine outside of the United States consult your local distributor or dealer for warranty coverage.

